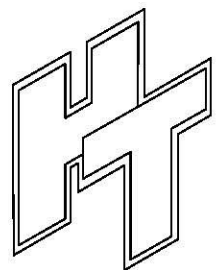
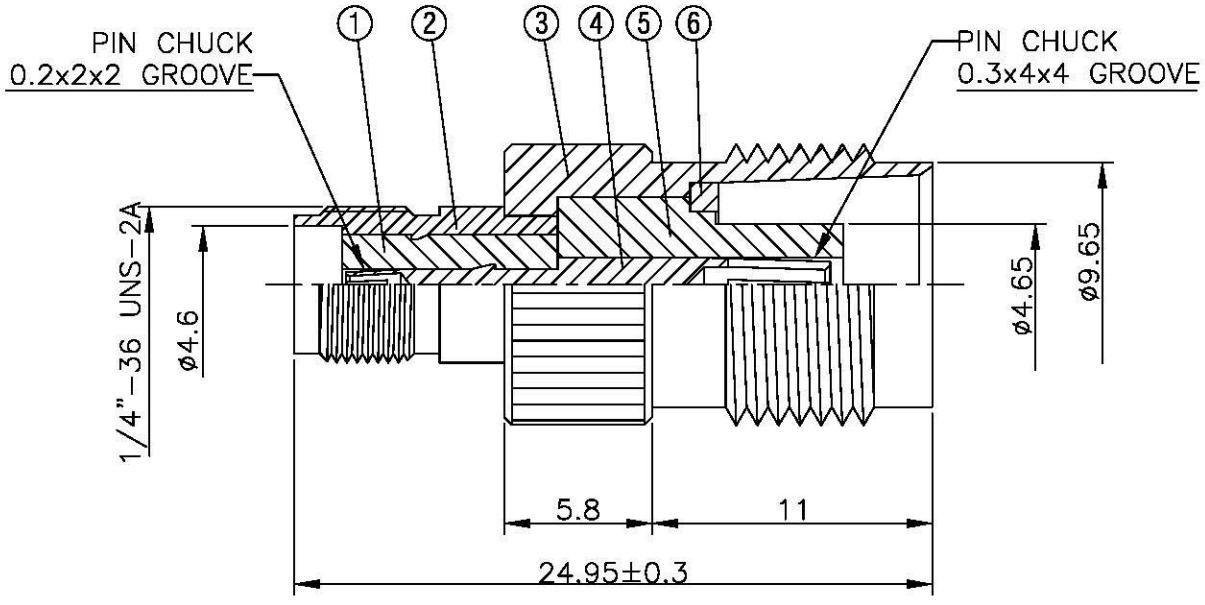
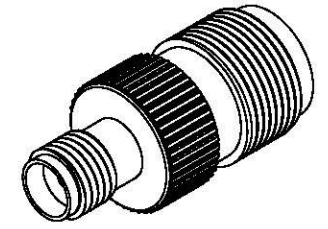


NO	DESCRIPTION	MATERIAL	Q'TY	FINISH	REMARK
1	INSULATION	TEFLON	1	TEFLON	I-0126T
2	BODY 1	BRASS	1	NICKEL	B-SMA0065-N
3	BODY 2	BRASS	1	NICKEL	B-BNC0423-N
4	PIN	PH.BRONZE		GOLD	P-SMA0273-G
5	INSULATION	TEFLON	1	TEFLON	I-0189T
6	WASHER	BRASS	1	NICKEL	W-0007-N



All Connectors
 www.allconnectors.de
 Tel.: 0049 733 7029500
 50751 Filderstadt - Germany
 info@allconnectors.de
 Fax: 0049 733 7029501
 Kallmannstr. 28

TITLE
SMA FEMALE - TNC FEMALE ADAPTOR

PART NO. SMA-28-TGN

DRAWING NO. SMA 28 TGN

DRAWN MARY **DATE** 96.03.27

CHECKED 蘇姿潔 **DATE**

Q.A. 馮健華 **DATE**

APPROVAL 徐燦霖 **DATE**

REVISION **DATE**

DIMENSIONS ARE IN MILLIMETERS

UNLESS OTHERWISE SPECIFIED TOLERANCE

0.5-5=±0.2 120-315=±1
 5-30=±0.4 315-1000=±1.6
 30-120=±0.6 1000-2000=±2.4

SCALE 4:1 **SIZE** A

REVISION	
DESCRIPTION	ENGINEER