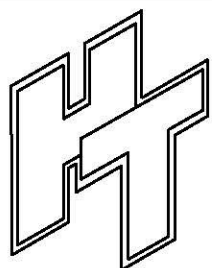
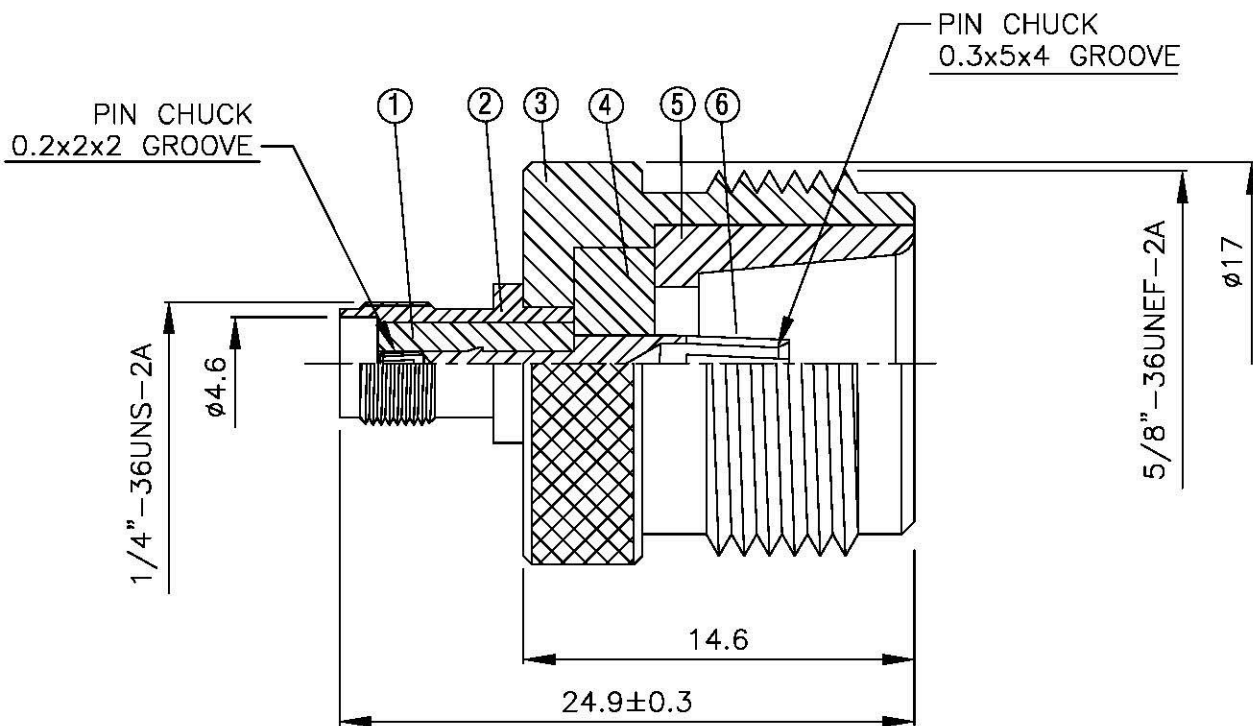
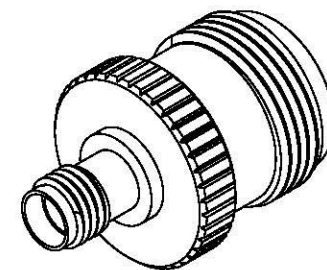


NO	DESCRIPTION	MATERIAL	Q'TY	FINISH	REMARK
1	INSULATION 1	TEFLON	1	TEFLON	I-0126T
2	BODY 1	BRASS	1	NICKEL	B-SMA0679-N
3	BODY 2	BRASS	1	NICKEL	B-N0677-N
4	INSULATION 2	TEFLON	1	TEFLON	I-0326T
5	BODY 3	BRASS	1	NICKEL	B-N0320-N
6	PIN	PH.BRONZE	1	GOLD	P-SMA0456-G



All Connectors
 www.allconnectors.de info@allconnectors.de
 Tel: 0488 301 908503 Fax: 0488 301 908504
 29254 Fricke wald, Germany Kellnersfeld, 25

TITLE SMA FEMALE-N FEMALE ADAPTOR

PART NO. SMA-24-TGN

DRAWING NO. SMA 24 TGN

DRAWN MARY DATE 96.03.27

CHECKED 黄巧君 DATE

Q.A. 蘇姿潔 DATE

APPROVAL 徐燦霖 DATE

REVISION DATE

DIMENSIONS ARE IN MILLIMETERS

UNLESS OTHERWISE SPECIFIED TOLERANCE

0.5-5=±0.2	120-315=±1
5-30=±0.4	315-1000=±1.6
30-120±0.6	1000-2000=±2.4

SCALE 4:1 SIZE A

REVISION

DESCRIPTION	ENGINEER