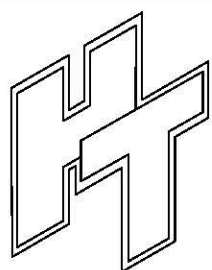
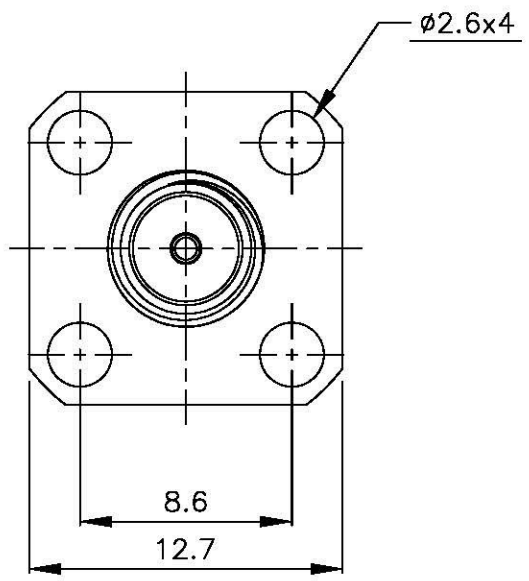
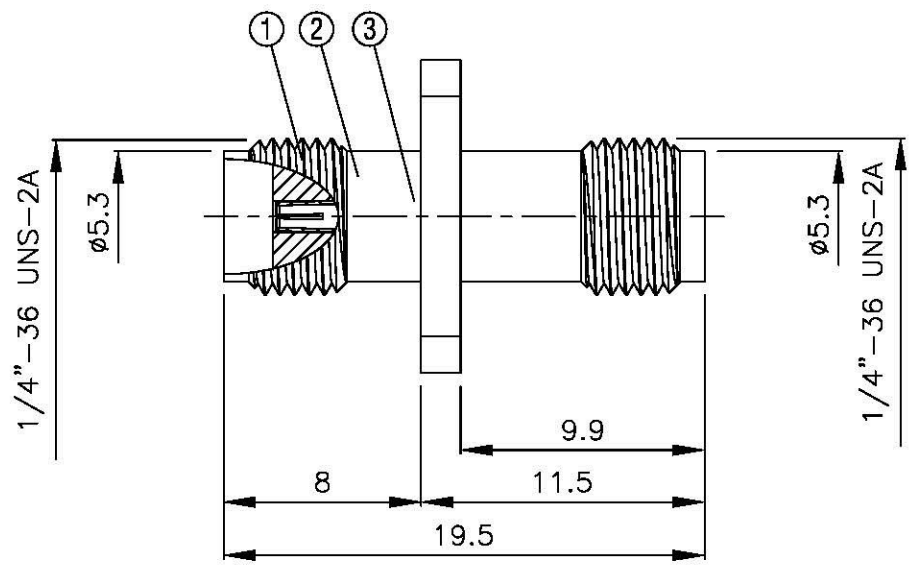
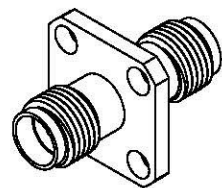


NO	DESCRIPTION	MATERIAL	Q'TY	FINISH	REMARK
1	BODY	BRASS	1	NICKEL	B-SMA0984-N
2	INSULATION	TEFLON	1	TEFLON	I-0478T
3	PIN	BE CU	1	GOLD	P-SMA0685-G



All Connectors
 www.allconnectors.de info@allconnectors.de
 Tel: 0049 711 7009503 Fax: 0049 711 7009501
 Rulow-Hilberstadt Germany Kettelerstr. 22

**TITLE SMA FEMALE-FEMALE ADAPTOR
 PANEL MOUNTED**

PART NO. SMA-15V4-TGN

DRAWING NO. SMA 15V4 TGN

DRAWN MARY **DATE 96.03.21**

CHECKED 蘇姿潔 **DATE**

Q.A. 馮健華 **DATE**

APPROVAL 徐燦霖 **DATE**

REVISION **DATE**

DIMENSIONS ARE IN MILLIMETERS

UNLESS OTHERWISE SPECIFIED TOLERANCE

0.5-5=±0.2 120-315=±1
 5-30=±0.4 315-1000=±1.6
 30-120±0.6 1000-2000=±2.4

SCALE 4:1 **SIZE A**

REVISION	
DESCRIPTION	ENGINEER