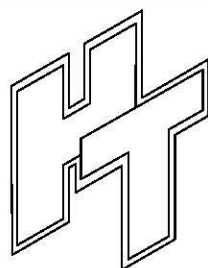
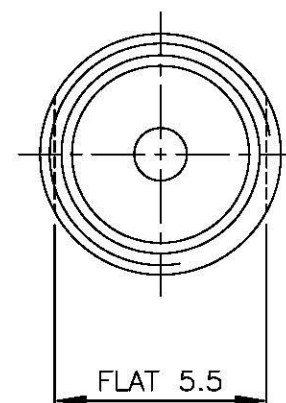
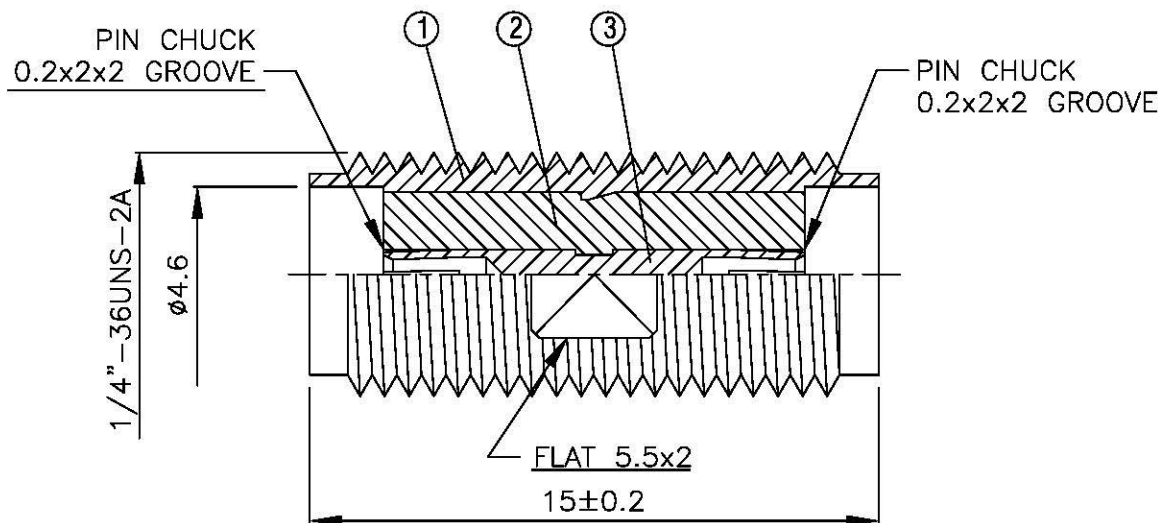
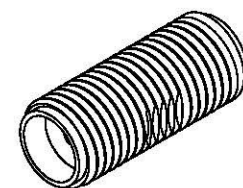


NO	DESCRIPTION	MATERIAL	Q'TY	FINISH	REMARK
1	BODY	BRASS	1	NICKEL	B-SMA0427-N
2	INSULATION	TEFLON	1	TEFLON	I-0202T
3	PIN	BE CU	1	GOLD	P-SMA0280-G



All Connectors
www.allconnectors.de
 TEL: +3019 711 7065503
 70794 Filderstadt - Germany

TITLE **SMA FEMALE-FEMALE ADAPTOR**

PART NO. **SMA-15-TGN**

DRAWING NO. **SMA 15 TGN**

DRAWN **MARY** DATE **96.03.21**

CHECKED **蘇姿潔** DATE

Q.A. **馮健華** DATE

APPROVAL **徐燦霖** DATE

REVISION DATE

DIMENSIONS ARE IN MILLIMETERS

UNLESS OTHERWISE SPECIFIED TOLERANCE

0.5-5=±0.2	120-315=±1
5-30=±0.4	315-1000=±1.6
30-120±0.6	1000-2000=±2.4

SCALE **4:1** SIZE **A**

REVISION

DESCRIPTION	ENGINEER