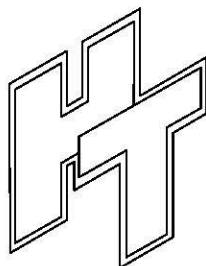
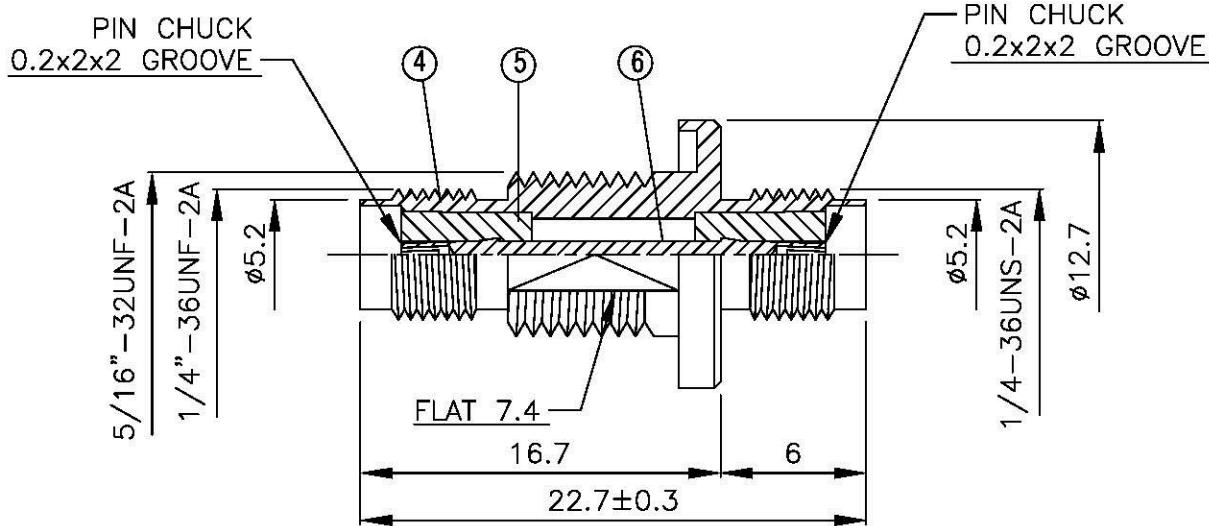
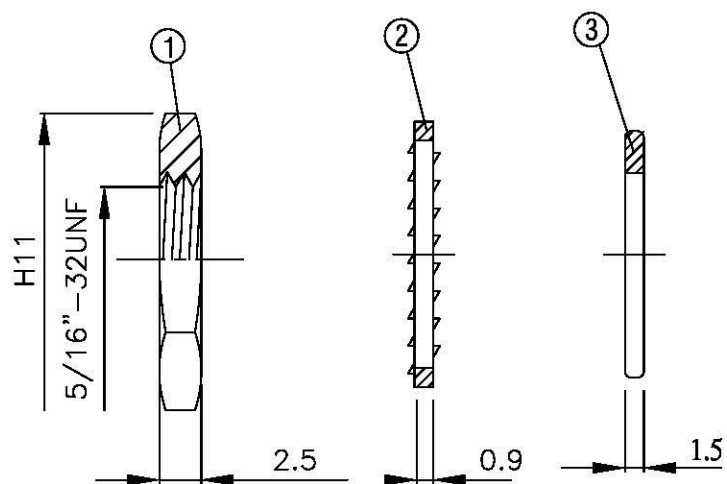
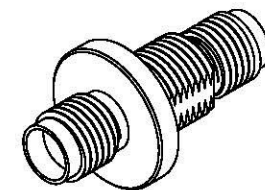
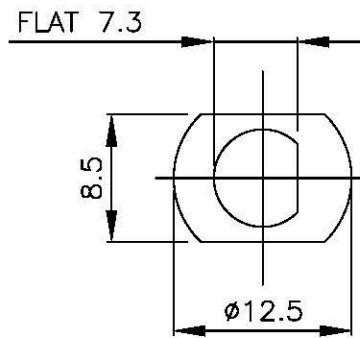


NO	DESCRIPTION	MATERIAL	Q'TY	FINISH	REMARK
1	NUT	BRASS	1	NICKEL	N-0053-N
2	WASHER	BRASS	1	NICKEL	W-0003-N
3	GASKET	SI RUBBER	1	RUBBER	RU-0013
4	BODY	BRASS	1	NICKEL	B-SMA0368-N
5	INSULATION	TEFLON	2	TEFLON	I-0115T
6	PIN	BE CU	1	GOLD	P-SMA0237-G



All Connectors

www.allconnectors.de
Tel.: 0049 711 2069760
70701ilderstadt - Germany

info@allconnectors.de
Fax: 0049 711 2069971
Kettelerstr. 25

TITLE
SMA FEMALE-FEMALE BULKHEAD

PART NO.
SMA-13-TGN

DRAWING NO.
SMA 13 TGN

DRAWN **MARY** DATE **96.03.21**

CHECKED **蘇姿潔** DATE

Q.A. **馮健華** DATE

APPROVAL **徐燦霖** DATE

REVISION DATE

DIMENSIONS ARE IN MILLIMETERS

UNLESS OTHERWISE SPECIFIED
TOLERANCE

0.5-5=±0.2	120-315=±1
5-30=±0.4	315-1000=±1.6
30-120±0.6	1000-2000=±2.4

SCALE **4:1** SIZE **A**

REVISION

DESCRIPTION	ENGINEER