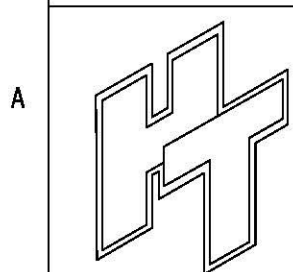
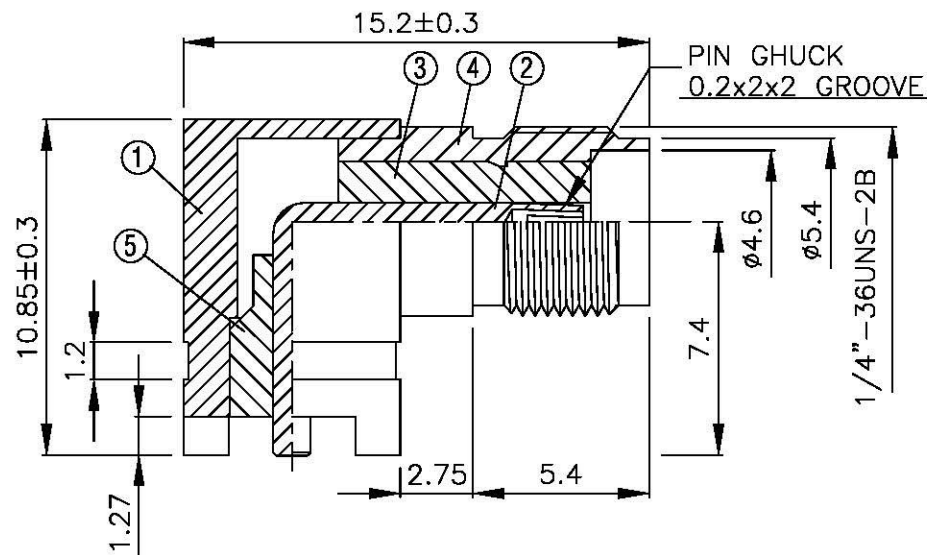
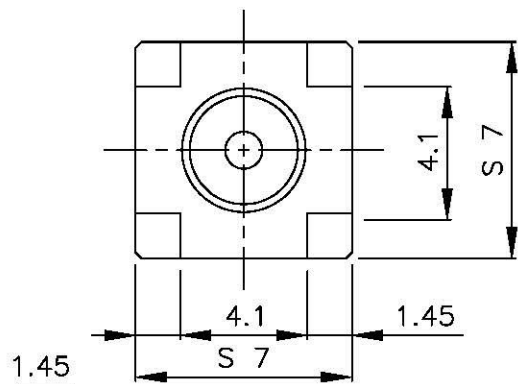
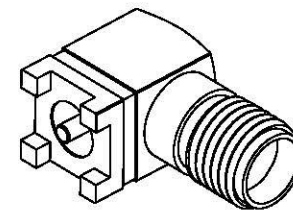
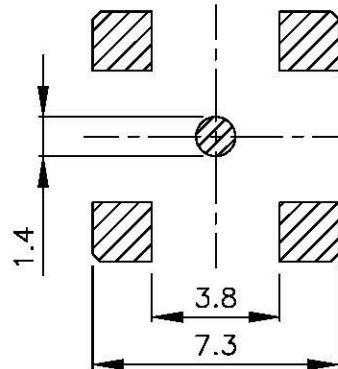


NO	DESCRIPTION	MATERIAL	Q'TY	FINISH	REMARK
1	BODY	BRASS	1	GOLD	B-SMA0359-G
2	PIN	BE CU	1	GOLD	P-SMA0850-G
3	INSULATION	TEFLON	1	TEFLON	I-0126T
4	BODY	BRASS	1	GOLD	B-SMA0065-G
5	INSULATION	TEFLON	1	TEFLON	I-0127T



**All Connectors**  
 www.allconnectors.de  
 Tel: +0049 7331 70002803  
 info@allconnectors.de  
 Fax: +0049 7331 7000504  
 Kottbusstr. 25

TITLE  
SMA FEMALE PCB MOUNT

PART NO.  
SMA-11V7-TGG

DRAWING NO.  
SMA 11V7 TGG

DRAWN MARY DATE 96.06.06

CHECKED 蘇志欣 DATE 97.02.12

Q.A. 蘇姿潔 DATE

APPROVAL 徐燦霖 DATE

REVISION DATE

DIMENSIONS ARE IN MILLIMETERS

UNLESS OTHERWISE SPECIFIED TOLERANCE

0.5-5=±0.2 120-315=±1

5-30=±0.4 315-1000=±1.6

30-120±0.6 1000-2000=±2.4

SCALE 4:1 SIZE A

REVISION

REVISION	DESCRIPTION	ENGINEER