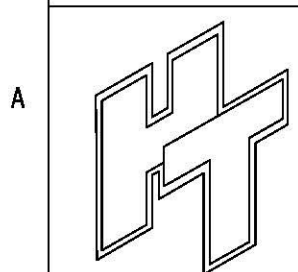
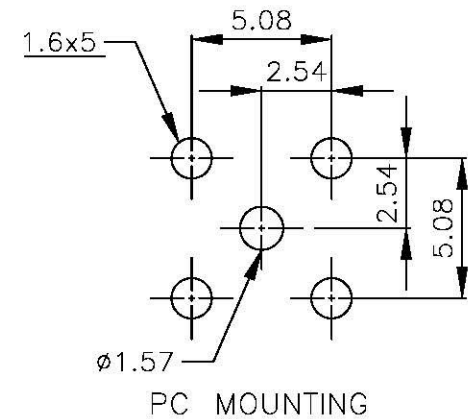
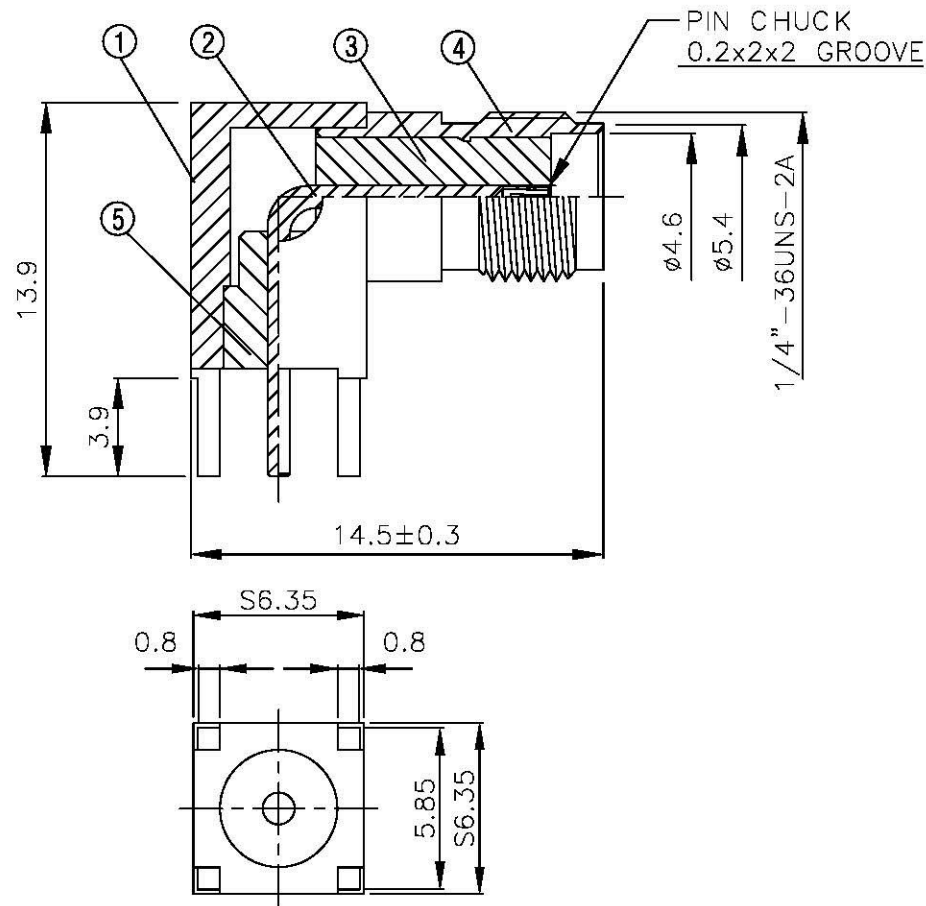
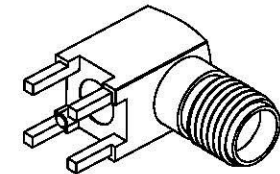


NO	DESCRIPTION	MATERIAL	Q'TY	FINISH	REMARK
1	BODY	BRASS	1	GOLD	B-SMA0086-G
2	PIN	BE CU	1	GOLD	P-SMA0365-G
3	INSULATION	TEFLON	1	TEFLON	I-0126T
4	BODY	BRASS	1	NICKEL	B-SMA0065-N
5	INSULATION	TEFLON	1	TEFLON	I-0127T



Allconnectors	
<small>www.allconnectors.de Tel.: 0049 711 7009508 70794 Filberstadt Germany</small>	<small>Info@allconnectors.de Fax: 0049 711 7009504 Kettelerstr. 25</small>
TITLE SMA FEMALE PCB MOUNT	
PART NO. SMA-11V4-TGG	
DRAWING NO. SMA 11V4 TGG	

DRAWN	MARY	DATE	90.01.22
CHECKED	黃巧君	DATE	90.01.22
Q.A.	蘇姿潔	DATE	
APPROVAL	徐燦霖	DATE	
REVISION		DATE	

DIMENSIONS ARE IN MILLIMETERS			
UNLESS OTHERWISE SPECIFIED TOLERANCE			
0.5-5=±0.2	120-315=±1		
5-30=±0.4	315-1000=±1.6		
30-120=±0.6	1000-2000=±2.4		
SCALE	4:1	SIZE	A

REVISION	
DESCRIPTION	ENGINEER