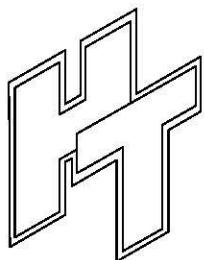
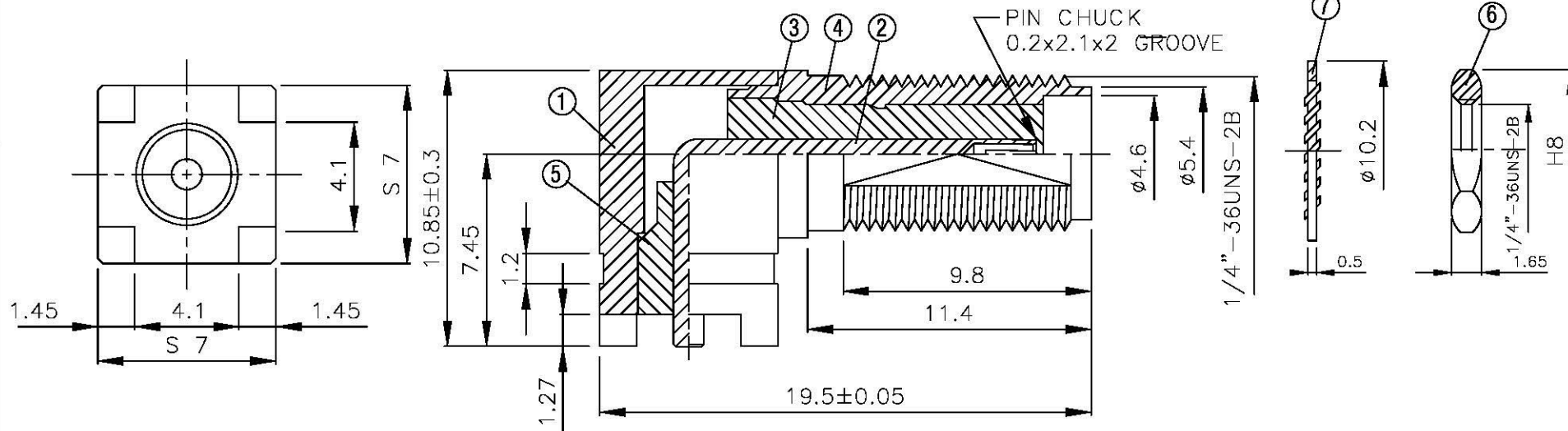
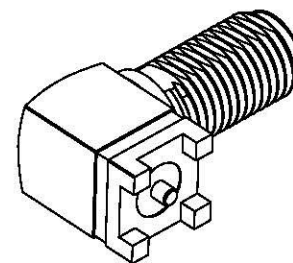
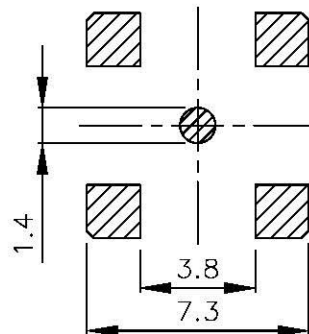


NO	DESCRIPTION	MATERIAL	Q'TY	FINISH	REMARK
1	BODY	BRASS	1	GOLD	B-SMA0359-G
2	PIN	BE CU	1	GOLD	P-SMA0857-G
3	INSULATION	TEFLON	1	TEFLON	I-0198T
4	BODY	BRASS	1	GOLD	B-SMA0145-G
5	INSULATION	TEFLON	1	TEFLON	I-0127T
6	NUT	BRASS	1	NICKEL	N-0006-N
7	WASHER	BRASS	1	NICKEL	W-0016



All Connectors

www.allconnectors.de
Tel.: 0049 711 7000503
70774 Filzberg - Germany

info@allconnectors.de
Fax: 0049 711 7000504
Kettenerstr. 25

TITLE
SMA FEMALE PCB MOUNT

PART NO.
SMA-11V16-TGG

DRAWING NO.
SMA 11V16 TGG

DRAWN MARY DATE 96.08.03

CHECKED 黄巧君 DATE 96.08.03

Q.A. 蘇姿潔 DATE

APPROVAL 徐燦霖 DATE

REVISION DATE

DIMENSIONS ARE IN MILLIMETERS

UNLESS OTHERWISE SPECIFIED
TOLERANCE

0.5-5=±0.2 120-315=±1

5-30=±0.4 315-1000=±1.6

30-120=±0.6 1000-2000=±2.4

SCALE 4:1 SIZE A

REVISION

DESCRIPTION ENGINEER

D

C

B

A

D

C

B

A

4

3

2

1