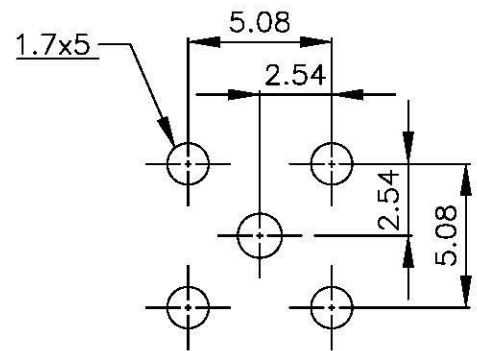
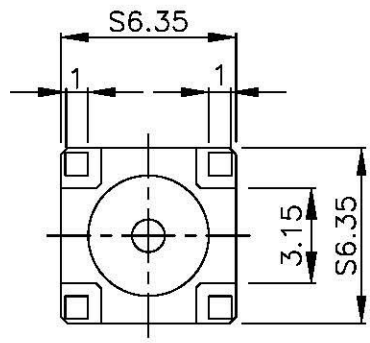
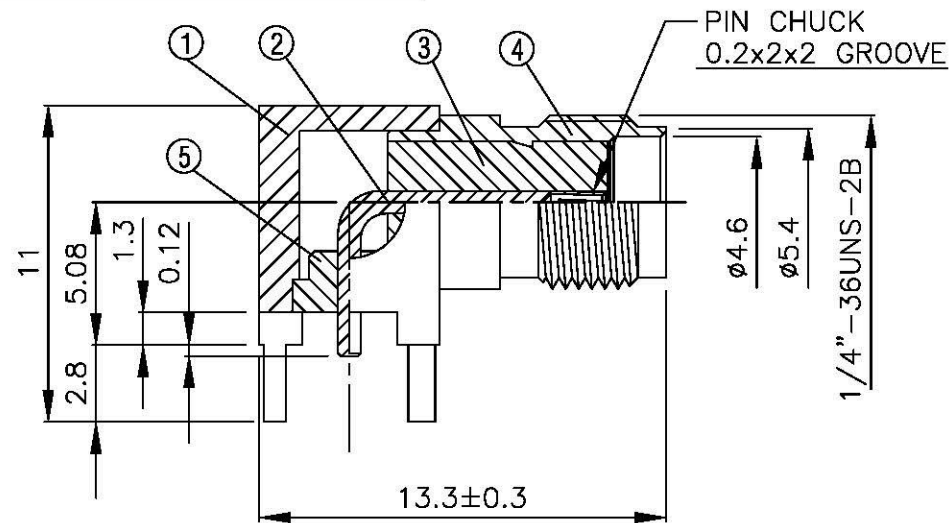
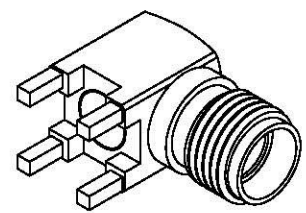


NO	DESCRIPTION	MATERIAL	Q'TY	FINISH	REMARK
1	BODY	BRASS	1	NICKEL	B-SMA0572-G
2	PIN	BE CU	1	GOLD	P-SMA0372-G
3	INSULATION	TEFLON	1	TEFLON	I-0207T
4	BODY	BRASS	1	NICKEL	B-SMA0573-G
5	INSULATION	TEFLON	1	TEFLON	I-0094T



PC MOUNTING

	<b>All Connectors</b> <small>www.allconnectors.de    info@allconnectors.de          Tel: 0049 711 209500    Fax: 0049 711 209504          40299 Hildenstadt - Germany    Kettnerstr. 25</small>	DRAWN MARY    DATE 96.03.15	DIMENSIONS ARE IN MILLIMETERS		REVISION	
	TITLE SMA FEMALE RIGHT ANGLE PCB MOUNT	CHECKED 黄巧君    DATE	UNLESS OTHERWISE SPECIFIED TOLERANCE		DESCRIPTION	ENGINEER
	PART NO. SMA-11V10-TGN	Q.A. 蘇姿潔    DATE	0.5-5=±0.2	120-315=±1		
	DRAWING NO. SMA 11V10 TGN	APPROVAL 徐燦霖    DATE	5-30=±0.4	315-1000=±1.6		
		REVISION    DATE	30-120±0.6	1000-2000=±2.4		
		SCALE 4:1	SIZE A			