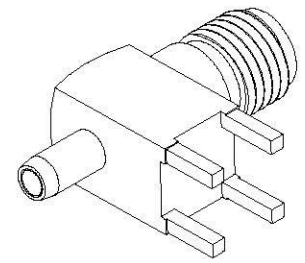
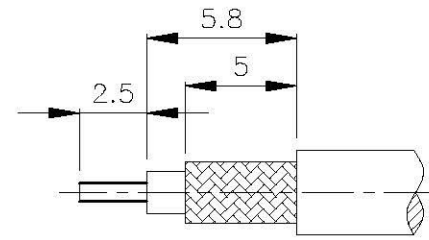
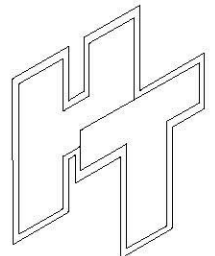
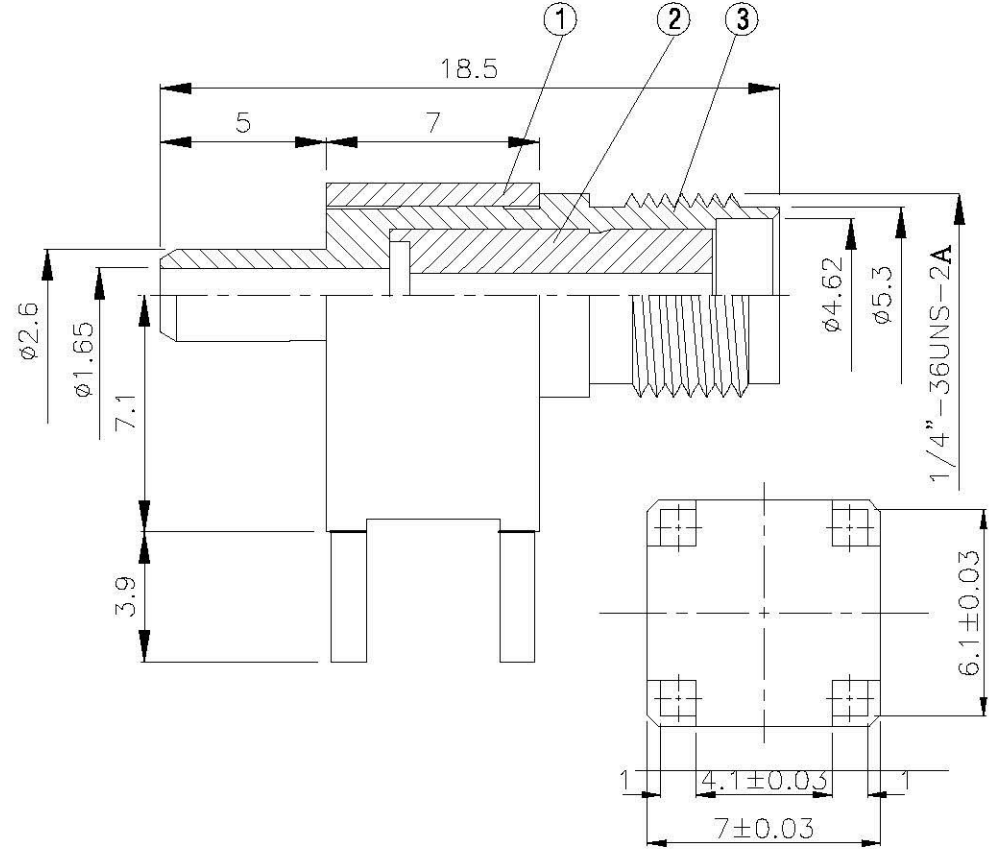
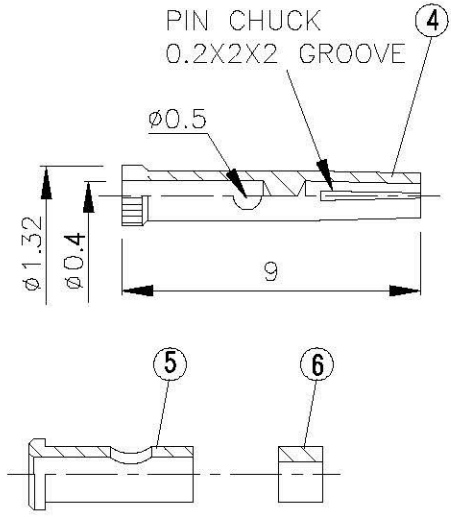


NO	DESCRIPTION	MATERIAL	Q'TY	FINISH	REMARK
1	BODY 1	BRASS	1	NICKEL	B-SMA0971-G
2	INSULATION 1	TEFLON	1	TEFLON	I-0131T
3	BODY 2	BRASS	1	NICKEL	B-SMA0972-G
4	PIN	BRASS	1	GOLD	P-SMA0635-G
5	BODY 3	BRASS	1	GOLD	B-SMA0903-G
6	INSULATION 2	TEFLON	1	TEFLON	I-0470T



(Recommended Stripping Dimension)



**All Connectors**  
 www.allconnectors.de  
 Tel: 0049 711 7005500  
 info@allconnectors.de  
 Fax: 0049 711 7005501  
 info@allconnectors.de

**TITLE** SMA FEMALE CRIMP  
FOR C-0.81mm CABLE

**PART NO.** SMA-11U2-TGG

**DRAWING NO.** SMA-11U2-TGG

**DRAWN** MARY  
**CHECKED** 蘇姿潔  
**Q.A.** 馮健華  
**APPROVAL** 徐燦霖  
**REVISION**

**DATE** 96.03.15  
**DATE**  
**DATE**  
**DATE**

**DIMENSIONS ARE IN MILLIMETERS**

**UNLESS OTHERWISE SPECIFIED TOLERANCE**

0.5-5=±0.2	120-315=±1
5-30=±0.4	315-1000=±1.6
30-120±0.6	1000-2000=±2.4

**SCALE** 4:1    **SIZE** A

REVISION	
DESCRIPTION	ENGINEER