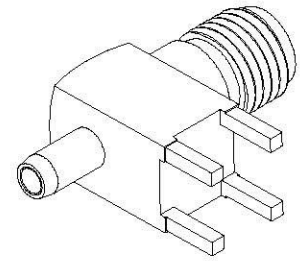
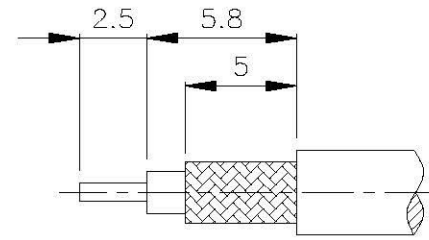
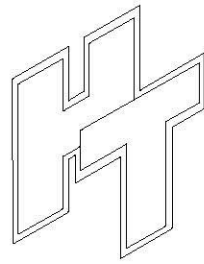
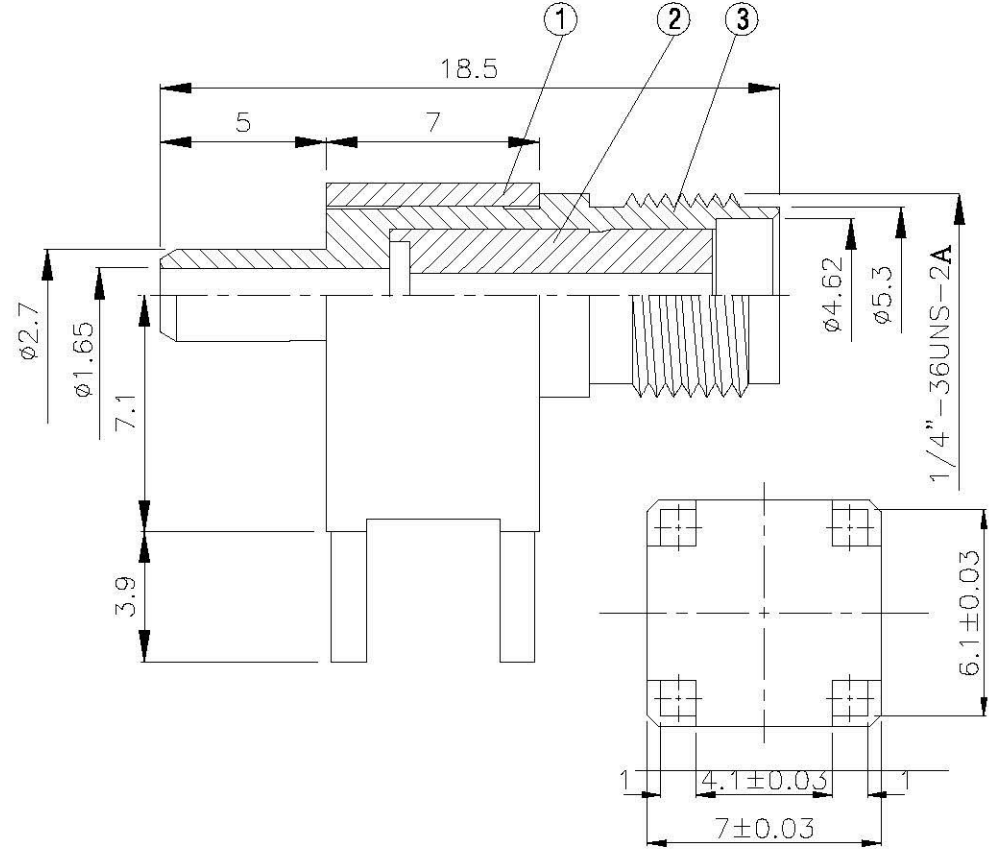
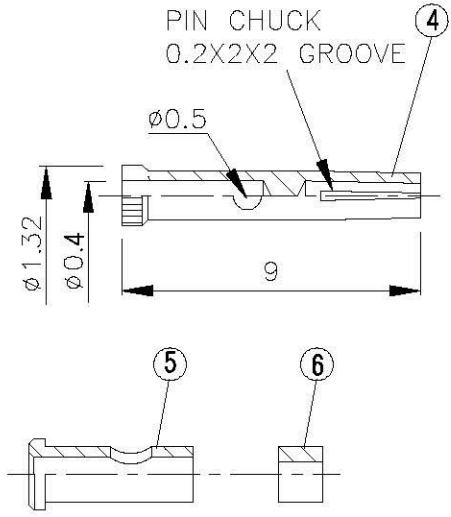


NO	DESCRIPTION	MATERIAL	Q'TY	FINISH	REMARK
1	BODY 1	BRASS	1	NICKEL	B-SMA0971-G
2	INSULATION 1	TEFLON	1	TEFLON	I-0131T
3	BODY 2	BRASS	1	NICKEL	B-SMA0972-G
4	PIN	BRASS	1	GOLD	P-SMA0635-G
5	BODY 3	BRASS	1	GOLD	B-SMA0902-G
6	INSULATION 2	TEFLON	1	TEFLON	I-0470T



(Recommended Stripping Dimension)



All Connectors
www.allconnectors.de
TEL: 0049 711 3009303
70362 Heilbronn, Germany
info@allconnectors.de
FAX: 0049 711 3009304
heilbronn@allconnectors.de

TITLE SMA FEMALE CRIMP
FOR C-1.13mm CABLE

PART NO. SMA-11U1-TGG

DRAWING NO. SMA-11U1-TGG

DRAWN MARY	DATE 96.03.15
CHECKED 蘇姿潔	DATE
Q.A. 馮健華	DATE
APPROVAL 徐燦霖	DATE
REVISION	DATE

DIMENSIONS ARE IN MILLIMETERS			
UNLESS OTHERWISE SPECIFIED TOLERANCE			
0.5-5=±0.2	120-315=±1		
5-30=±0.4	315-1000=±1.6		
30-120±0.6	1000-2000=±2.4		
SCALE 4:1	SIZE A		

REVISION	
DESCRIPTION	ENGINEER