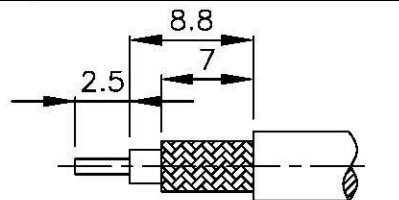
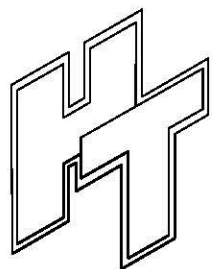
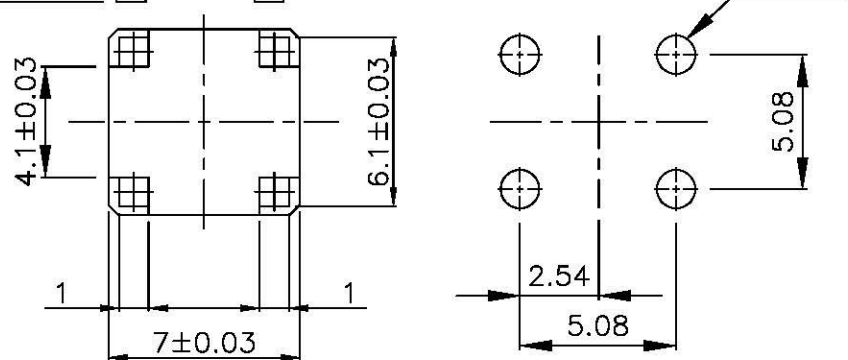
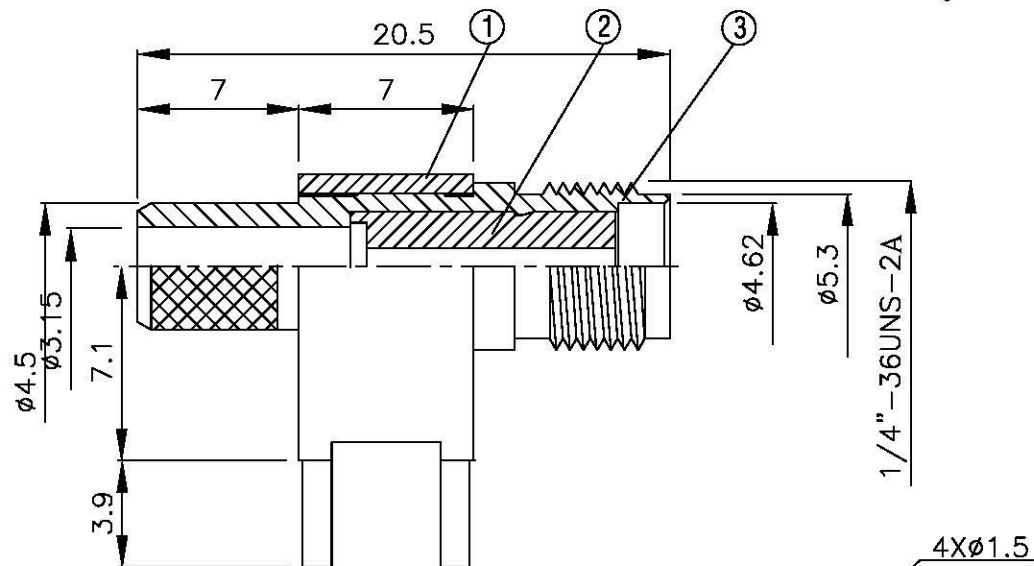
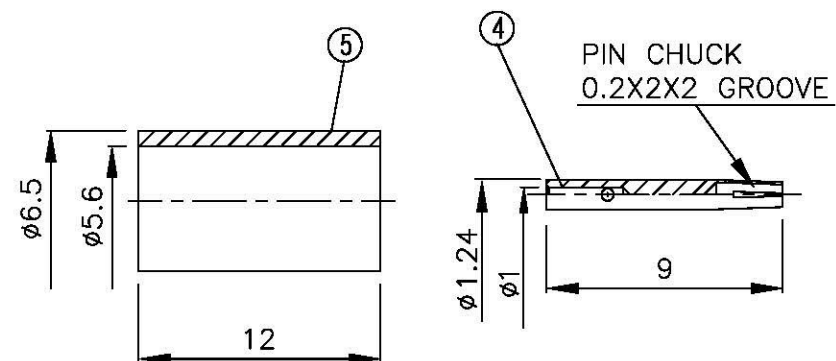
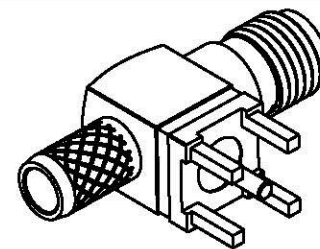


NO	DESCRIPTION	MATERIAL	Q'TY	FINISH	REMARK
1	BODY 1	BRASS	1	NICKEL	B-SMA0971-G
2	INSULATION	TEFLON	1	TEFLON	I-0131T
3	BODY 2	BRASS	1	NICKEL	B-SMA0973-G
4	PIN	BE CU	1	GOLD	P-SMA0057-G
5	RING	BRASS	1	NICKEL	R-0007



(Recommended Stripping Dimension)



All Connectors
www.allconnectors.de info@allconnectors.de
 Tel.: 0049 711 7005503 Fax: 0049 711 7005504
 10720 Hildesfeld - Germany Karlsruhe, DE

TITLE SMA FEMALE CRIMP FOR RG-58/U, RG-58A/U

PART NO. SMA-11F-TGG

DRAWING NO. SMA-11F-TGG

DRAWN	MARY	DATE	96.03.15
CHECKED	蘇姿潔	DATE	
Q.A.	馮健華	DATE	
APPROVAL	徐燦霖	DATE	
REVISION		DATE	

DIMENSIONS ARE IN MILLIMETERS			
UNLESS OTHERWISE SPECIFIED TOLERANCE			
0.5-5=±0.2	120-315=±1		
5-30=±0.4	315-1000=±1.6		
30-120±0.6	1000-2000=±2.4		
SCALE	4:1	SIZE	A

REVISION	
DESCRIPTION	ENGINEER