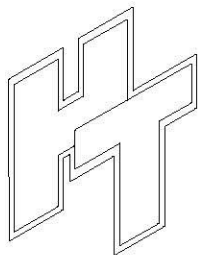
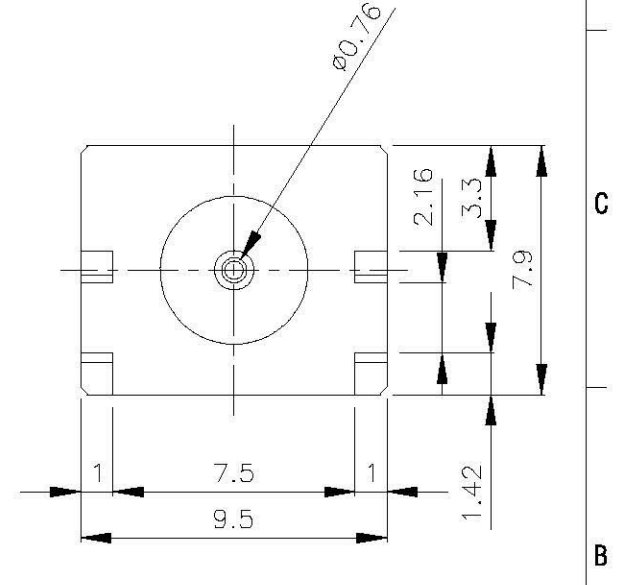
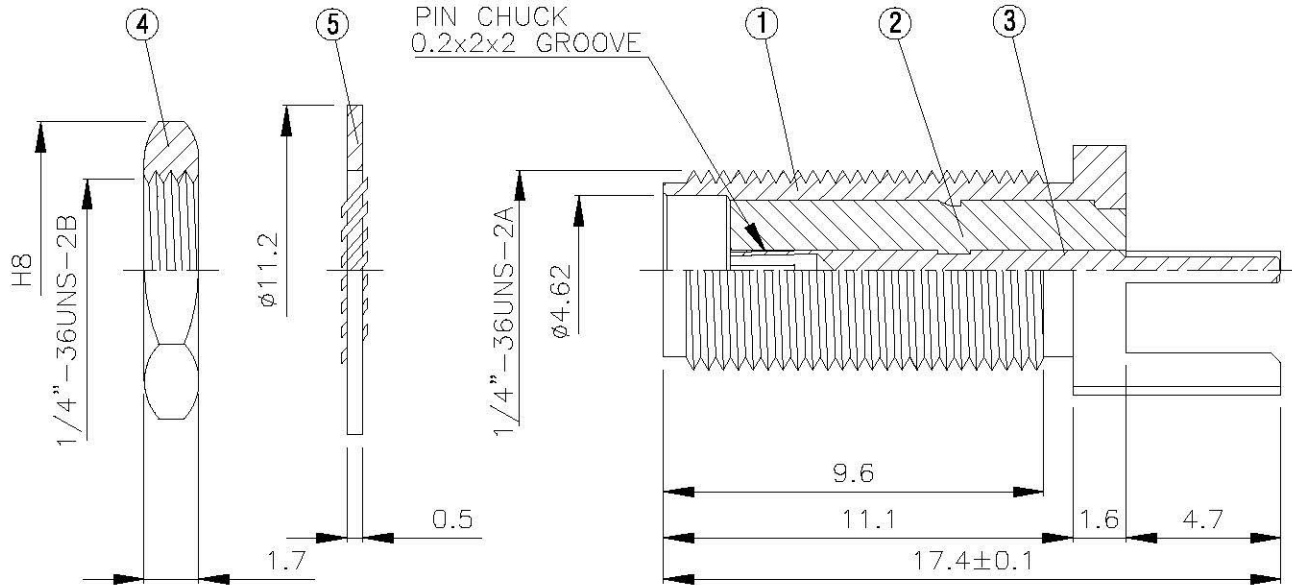
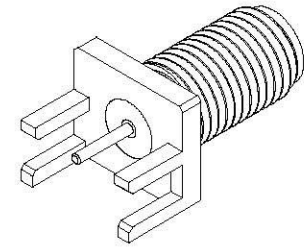


NO	DESCRIPTION	MATERIAL	Q'TY	FINISH	REMARK
1	BODY	BRASS	1	GOLD	B-SMA1583-G
2	INSULATION	TEFLON	1	TEFLON	I-0016T
3	PIN	BE CU	1	GOLD	P-SMA0098-G
4	NUT	BRASS	1	GOLD	N-0006-G
5	WASHER	BRASS	1	GOLD	W-0016-G



**All Connectors**

www.allconnectors.com info@allconnectors.com  
Tel: 0049 711 7009308 Fax: 0049 711 7009304  
All.M | Interstad - Germany Sellenberg, DE

TITLE SMA FEMALE END LAUNCH  
TAB CONTACT (BOARD THICKNESS 2mm)

PART NO. SMA-10V9-TGG

DRAWING NO. SMA 10V9 TGG

DRAWN MARY DATE 96.06.13

CHECKED 蘇姿潔 DATE

Q.A. 馮健華 DATE

APPROVAL 徐燦霖 DATE

REVISION DATE

DIMENSIONS ARE IN MILLIMETERS

UNLESS OTHERWISE SPECIFIED  
TOLERANCE

0.5-5=±0.2 120-315=±1  
5-30=±0.4 315-1000=±1.6  
30-120=±0.6 1000-2000=±2.4

SCALE 4:1 SIZE A

REVISION

DESCRIPTION ENGINEER

4

3

2

1