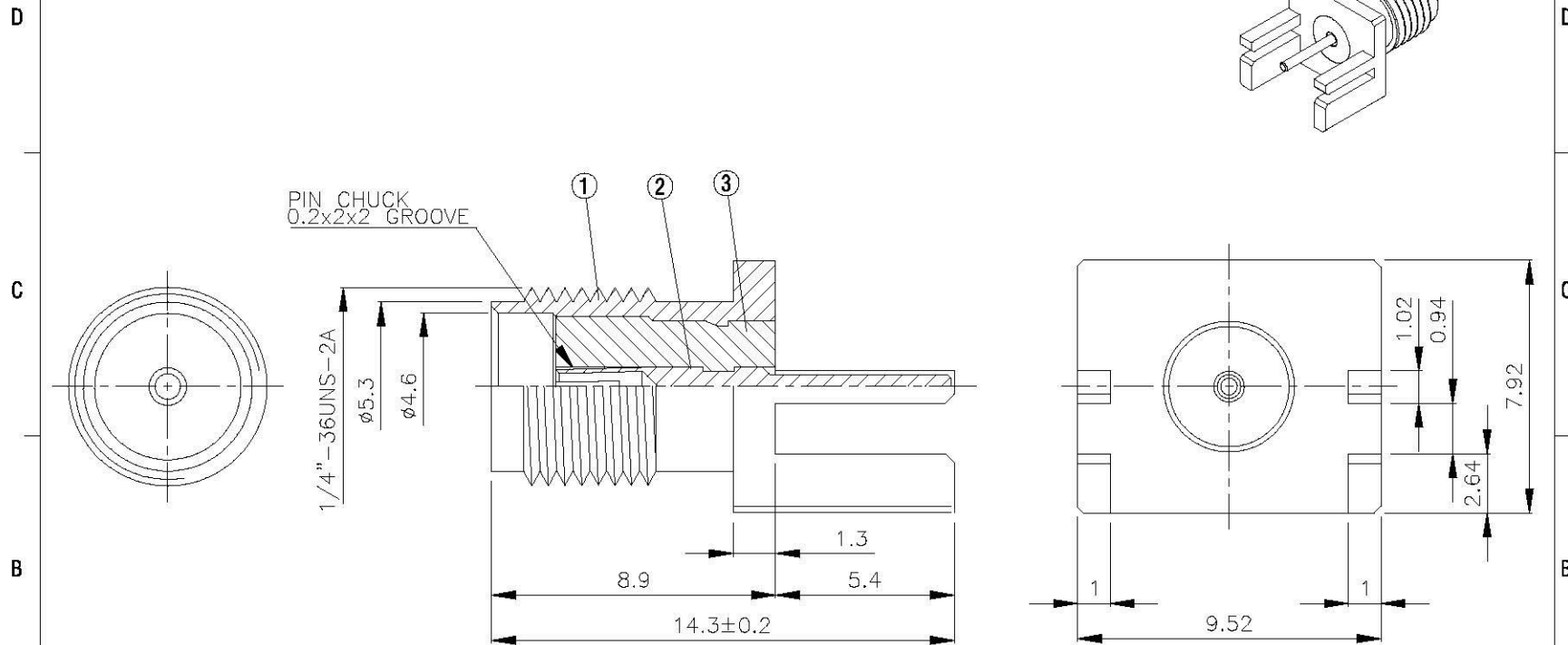
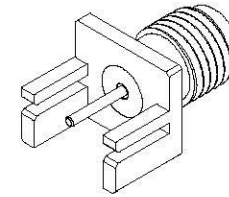


NO	DESCRIPTION	MATERIAL	Q'TY	FINISH	REMARK
1	BODY	BRASS	1	GOLD	B-SMA0335-G
2	PIN	BE CU	1	GOLD	P-SMA0107-G
3	INSULATION	TEFLON	1	TEFLON	I-0019T



	All Connectors <small>www.allconnectors.de +49 89 91 411 0324-11 90794 Fildarsdorf, Germany</small>	<small>INNS@allconnectors.de +49 89 91 411 0324-10 Kettensmstr. 25</small>	DRAWN MARY DATE 96.03.27	DIMENSIONS ARE IN MILLIMETERS			REVISION	
	TITLE SMA FEMALE END LAUNCH BOARD THICKNESS (0.79)		CHECKED 蘇志欣 DATE 97.07.04	UNLESS OTHERWISE SPECIFIED TOLERANCE			DESCRIPTION	ENGINEER
	PART NO. SMA-10V8-TGG		Q.A. 蘇姿潔 DATE	0.5-5=±0.2 120-315=±1 5-30=±0.4 315-1000=±1.6 30-120±0.6 1000-2000=±2.4				
	DRAWING NO. SMA 10V8 TGG		APPROVAL 徐家霖 DATE	REVISION DATE	SCALE 4:1	SIZE A		

4

3

2

1

A

A