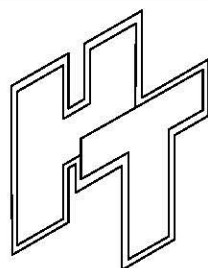
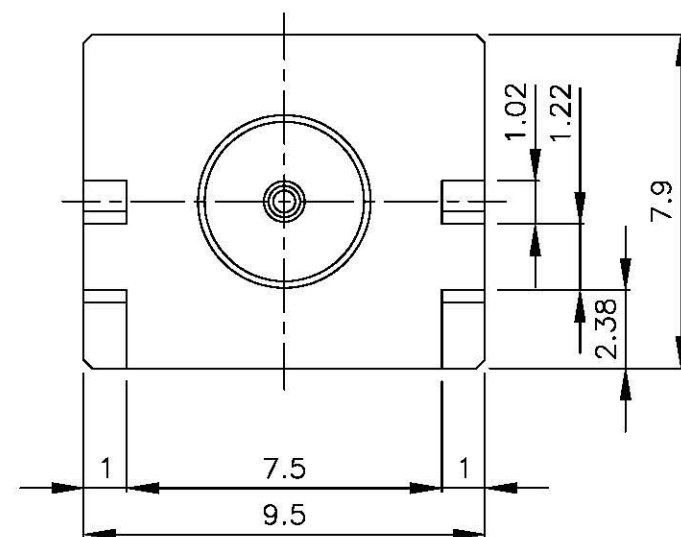
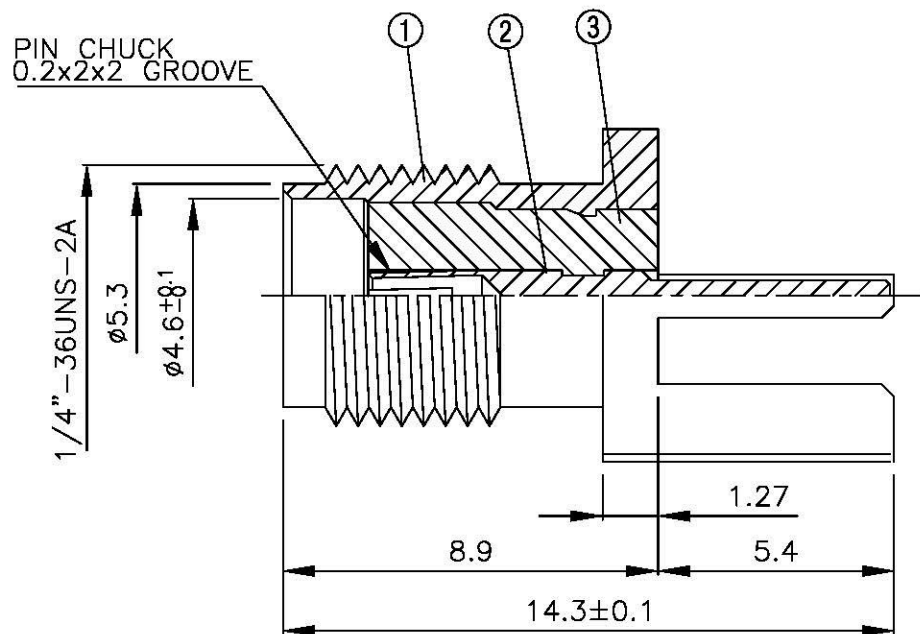
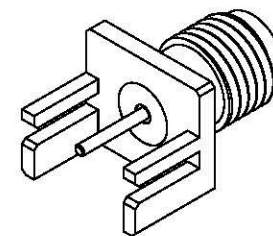


NO	DESCRIPTION	MATERIAL	Q'TY	FINISH	REMARK
1	BODY	BRASS	1	NICKEL	B-SMA0375-N
2	PIN	BE CU	1	GOLD	P-SMA0107-G
3	INSULATION	TEFLON	1	TEFLON	I-0019T



**All Connectors**

www.allconnectors.de  
Tel: 0049 711 200900  
All Connectors GmbH  
info@allconnectors.de  
Fax: 0049 711 200904  
Kollmannstr. 2b

TITLE SMA FEMALE END LAUNCH  
TAB CONTACT (BOARD THICKNESS 1.07)

PART NO. SMA-10V7-TGN

DRAWING NO. SMA 10V7 TGN

DRAWN MARY DATE 96.03.27

CHECKED 蘇姿潔 DATE

Q.A. 馮健華 DATE

APPROVAL 徐燦霖 DATE

REVISION DATE

DIMENSIONS ARE IN MILLIMETERS

UNLESS OTHERWISE SPECIFIED  
TOLERANCE

0.5-5=±0.2	120-315=±1
5-30=±0.4	315-1000=±1.6
30-120±0.6	1000-2000=±2.4

SCALE 4:1 SIZE A

REVISION

DESCRIPTION	ENGINEER