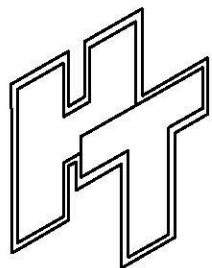
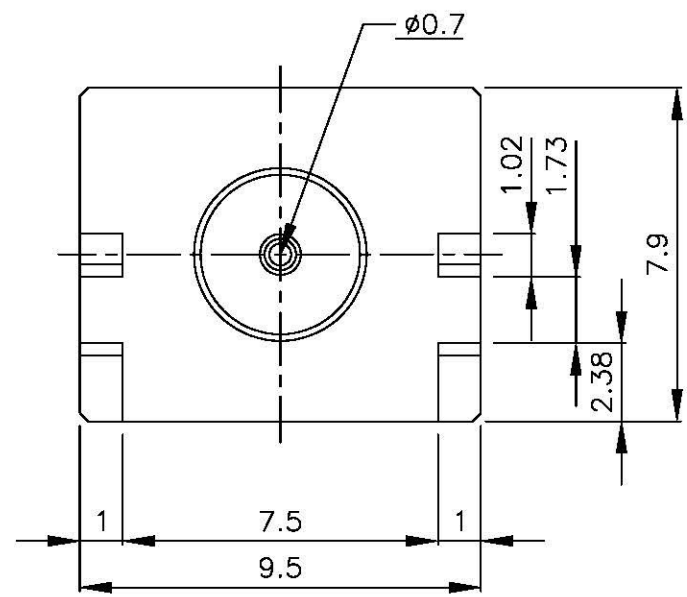
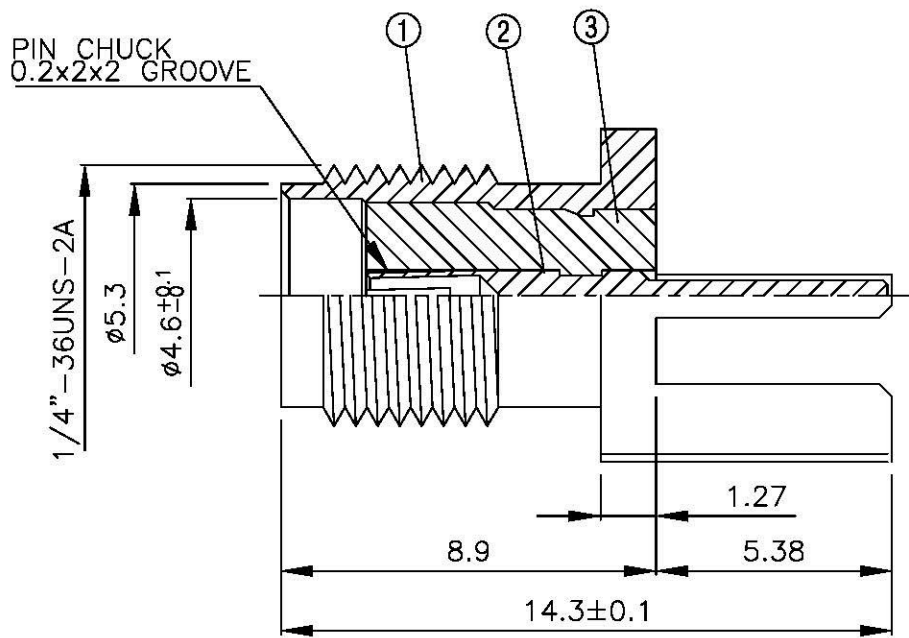
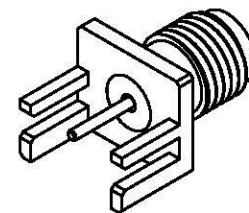


NO	DESCRIPTION	MATERIAL	Q'TY	FINISH	REMARK
1	BODY	BRASS	1	NICKEL	B-SMA0163-N
2	PIN	BE CU	1	GOLD	P-SMA0107-G
3	INSULATION	TEFLON	1	TEFLON	I-0019T



**All Connectors**  
 www.allconnectors.com info@allconnectors.com  
 40724 40724 40724 40724 40724 40724 40724 40724 40724 40724

TITLE SMA FEMALE END LAUNCH  
 TAB CONTACT (BOARD THICKNESS 1.57)

PART NO. SMA-10V6-TGN

DRAWING NO. SMA 10V6 TGN

DRAWN	MARY	DATE	90.11.21
CHECKED	黄巧君	DATE	90.11.21
Q.A.	蘇姿潔	DATE	
APPROVAL	徐燦霖	DATE	
REVISION		DATE	

DIMENSIONS ARE IN MILLIMETERS			
UNLESS OTHERWISE SPECIFIED TOLERANCE			
0.5-5=±0.2	120-315=±1		
5-30=±0.4	315-1000=±1.6		
30-120±0.6	1000-2000=±2.4		
SCALE	4:1	SIZE	A

REVISION	
DESCRIPTION	ENGINEER