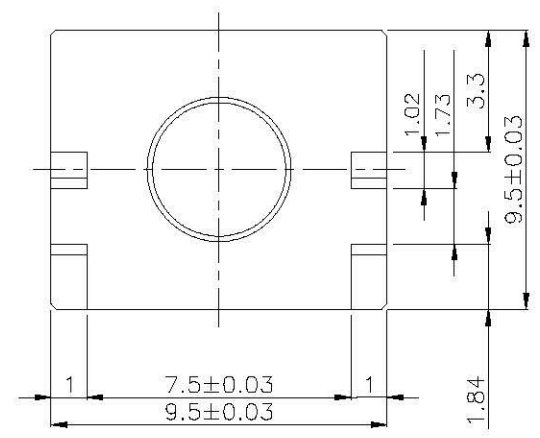
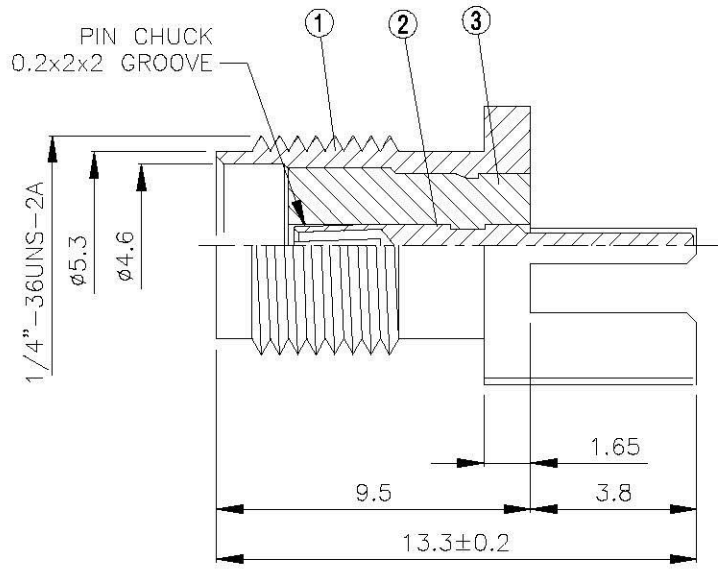
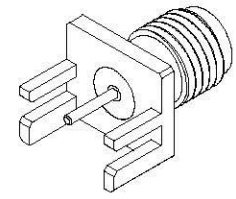


| NO | DESCRIPTION | MATERIAL | Q'TY | FINISH | REMARK      |
|----|-------------|----------|------|--------|-------------|
| 1  | BODY        | BRASS    | 1    | NICKEL | B-SMA0159-N |
| 2  | PIN         | BE CU    | 1    | GOLD   | P-SMA0100-G |
| 3  | INSULATION  | TEFLON   | 1    | TEFLON | I-0106T     |




**Allconnectors**  
 www.allconnectors.de  
 Tel.: 0049 744 7909208  
 70784 Ellersdorf - Germany

Info@allconnectors.de  
 Fax: 0049 744 7509269  
 Kette-Moestr. 25

**TITLE** SMA FEMALE END LAUNCH BOARD THICKNESS (1.07)  
**PART NO.** SMA-10V5-TGN  
**DRAWING NO.** SMA 10V5 TGN

|                     |                      |
|---------------------|----------------------|
| <b>DRAWN</b> MARY   | <b>DATE</b> 98.03.27 |
| <b>CHECKED</b> 蘇委潔  | <b>DATE</b>          |
| <b>Q.A.</b> 馮健華     | <b>DATE</b>          |
| <b>APPROVAL</b> 徐煥霖 | <b>DATE</b>          |
| <b>REVISION</b>     | <b>DATE</b>          |

|   |                |  |  |
|---|----------------|--|--|
| <b>DIMENSIONS ARE IN MILLIMETERS</b>        |                |  |  |
| <b>UNLESS OTHERWISE SPECIFIED TOLERANCE</b> |                |  |  |
| 0.5-5=±0.2                                  | 120-315=±1     |  |  |
| 5-30=±0.4                                   | 315-1000=±1.6  |  |  |
| 30-120=±0.6                                 | 1000-2000=±2.4 |  |  |
| <b>SCALE</b> 4:1                            | <b>SIZE</b> A  |  |  |

| <b>REVISION</b> |          |
|-----------------|----------|
| DESCRIPTION     | ENGINEER |
|                 |          |
|                 |          |
|                 |          |