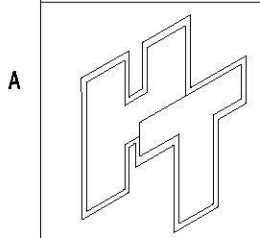
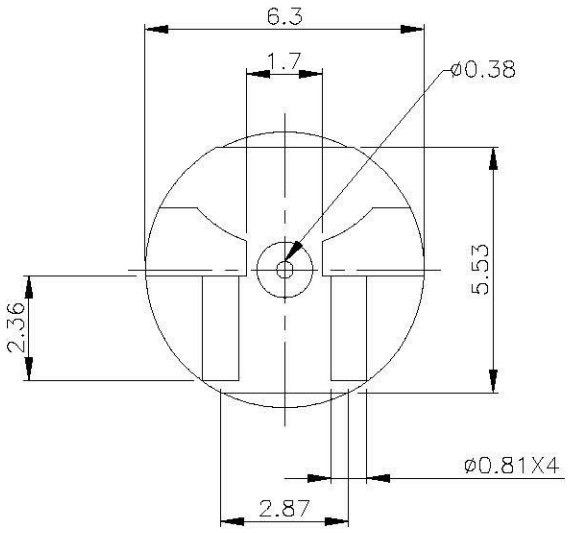
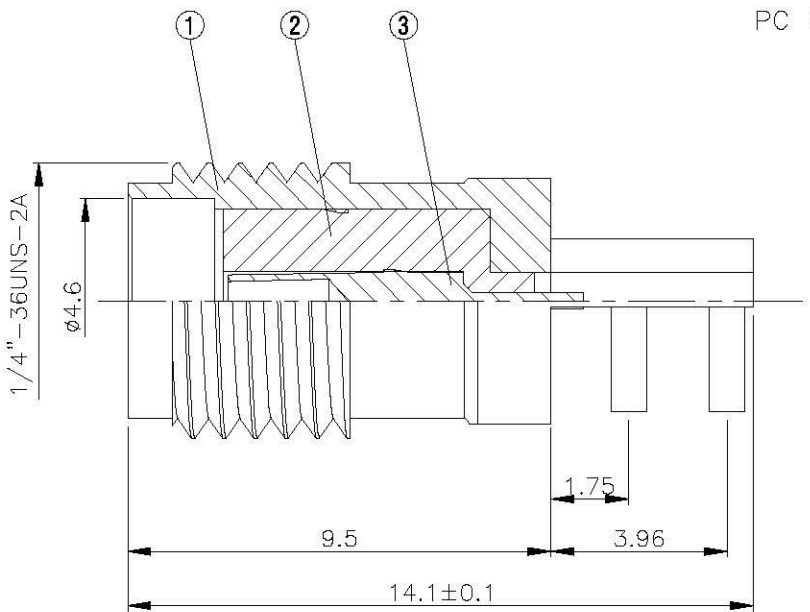
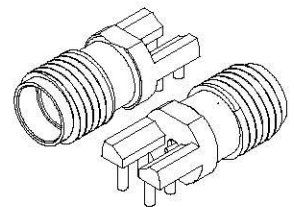
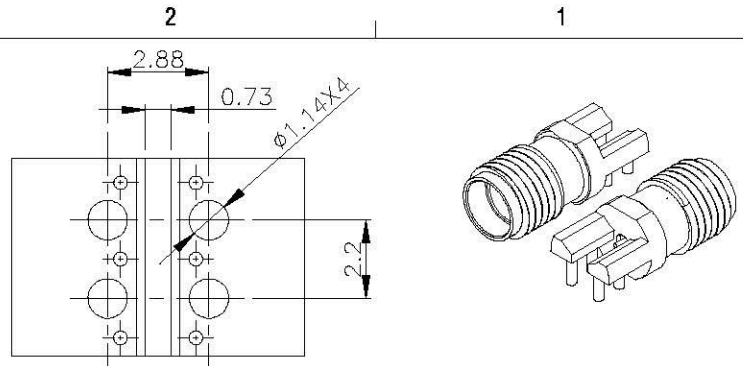


NO	DESCRIPTION	MATERIAL	Q'TY	FINISH	REMARK
1	BODY	BRASS	1	GOLD	B-SMA1425-G
2	INSULATION	TEFLON	1	TEFLON	I-0668T
3	PIN	BE CU	1	GOLD	P-SMA0995-G



All Connectors
 10000000000000000000
 TEL: 0049 721 309900
 10000000000000000000
 TEL: 0049 721 309904
 10000000000000000000

TITLE SMA FEMALE RECEPTACLE
 ROUND BODY WITH THICK LEGS
 PART NO. SMA-10V40-TGG
 DRAWING NO. SMA-10V40-TGG

DRAWN 蘇志欣
 CHECKED 蘇姿潔
 Q.A. 林妙樺
 APPROVAL 徐燦霖
 REVISION

DATE 98.06.17
 DATE
 DATE
 DATE

DIMENSIONS ARE IN MILLIMETERS
 UNLESS OTHERWISE SPECIFIED
 TOLERANCE
 0.5-5=±0.2 120-315=±1
 5-30=±0.4 315-1000=±1.6
 30-120=±0.6 1000-2000=±2.4
 SCALE 4:1 SIZE A

REVISION	
DESCRIPTION	ENGINEER