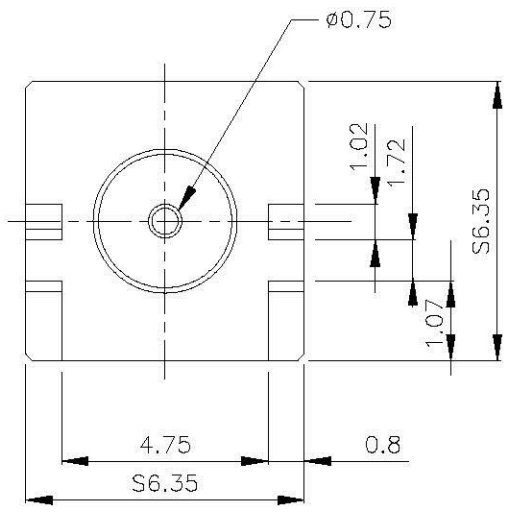
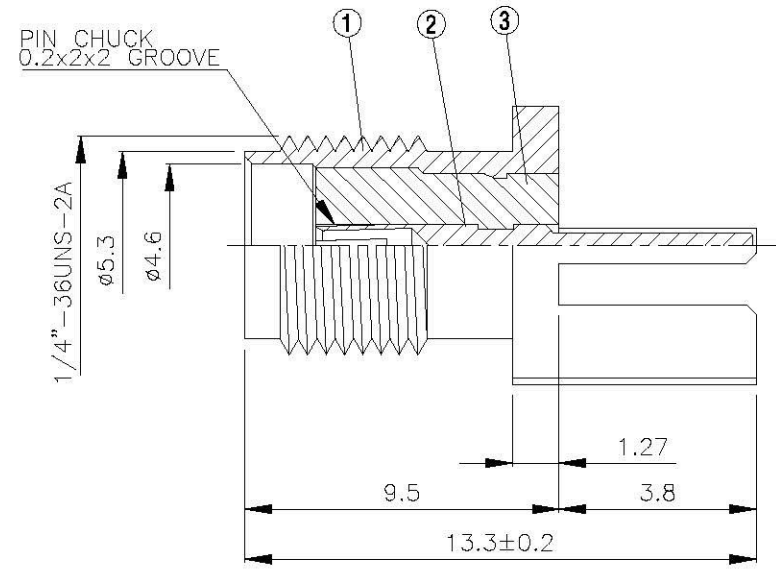
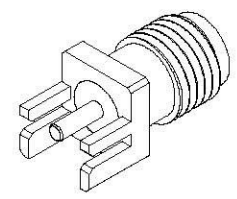


NO	DESCRIPTION	MATERIAL	Q'TY	FINISH	REMARK
1	BODY	BRASS	1	GOLD	B-SMA0161-G
2	PIN	BE CU	1	GOLD	P-SMA0105-G
3	INSULATION	TEFLON	1	TEFLON	I-0106T




Allconnectors
 www.allconnectors.de
 info@allconnectors.de
 info@allconnectors.de
 info@allconnectors.de

TITLE SMA FEMALE END LAUNCH BOARD THICKNESS (1.57)

PART NO. SMA-10V4-TGN

DRAWING NO. SMA 10V4 TGN

DRAWN MARY	DATE 96.03.27
CHECKED 蘇志欣	DATE
Q.A. 蘇姿潔	DATE
APPROVAL 徐燦霖	DATE
REVISION	DATE

DIMENSIONS ARE IN MILLIMETERS			
UNLESS OTHERWISE SPECIFIED TOLERANCE			
0.5-5=±0.2	120-315=±1		
5-30=±0.4	315-1000=±1.6		
30-120±0.6	1000-2000=±2.4		
SCALE 4:1	SIZE A		

REVISION	
DESCRIPTION	ENGINEER