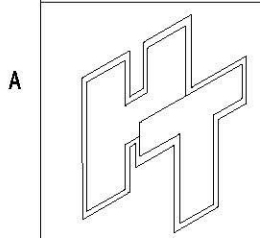
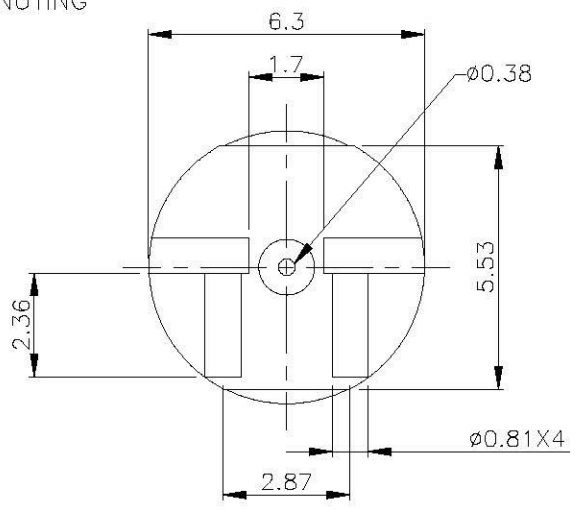
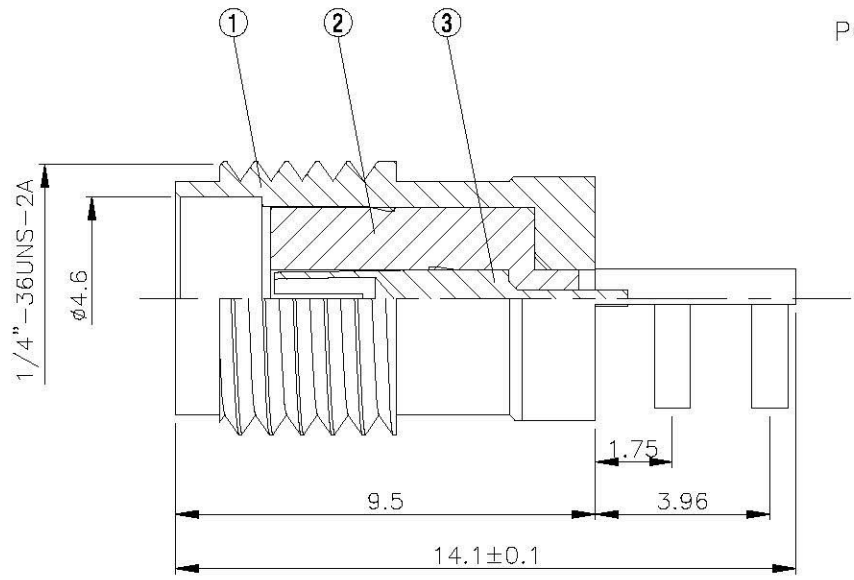
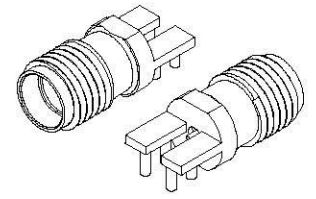
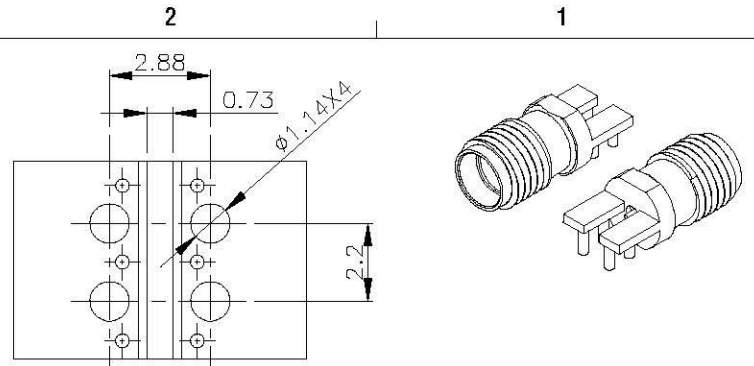


NO	DESCRIPTION	MATERIAL	Q'TY	FINISH	REMARK
1	BODY	BRASS	1	GOLD	B-SMA1423-G
2	INSULATION	TEFLON	1	TEFLON	I-0668T
3	PIN	BE CU	1	GOLD	P-SMA0995-G



All Connectors

www.allconnectors.de
Tel: 0049 711 7009303
70734 Filderstadt - Germany

info@allconnectors.de
Fax: 0049 711 7009304
Kette-Wasser 25

TITLE SMA FEMALE RECEPTACLE
PC MOUNT ROUND BODY

PART NO. SMA-10V38-TGG

DRAWING NO. SMA-10V38-TGG

DRAWN	蘇志欣	DATE	98.06.17
CHECKED	蘇姿潔	DATE	
Q.A.	林妙樺	DATE	
APPROVAL	徐燦霖	DATE	
REVISION		DATE	

DIMENSIONS ARE IN MILLIMETERS			
UNLESS OTHERWISE SPECIFIED TOLERANCE			
0.5-5=±0.2	120-315=±1		
5-30=±0.4	315-1000=±1.6		
30-120=±0.6	1000-2000=±2.4		
SCALE	4:1	SIZE	A

REVISION	
DESCRIPTION	ENGINEER