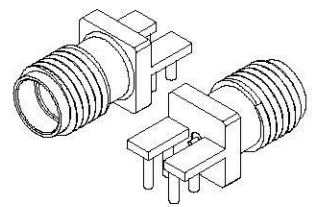
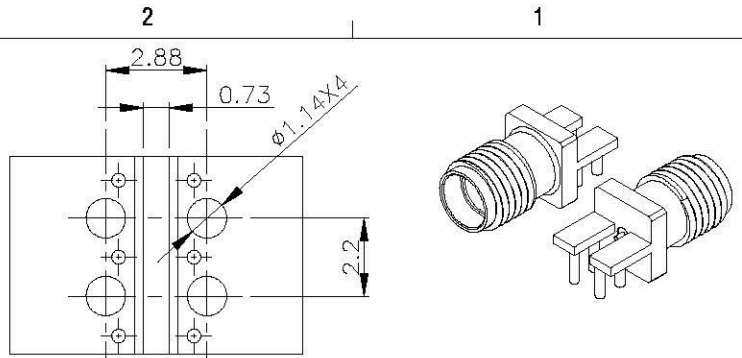
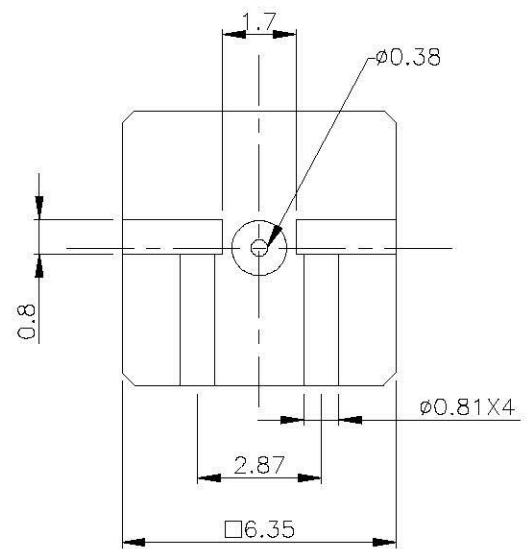
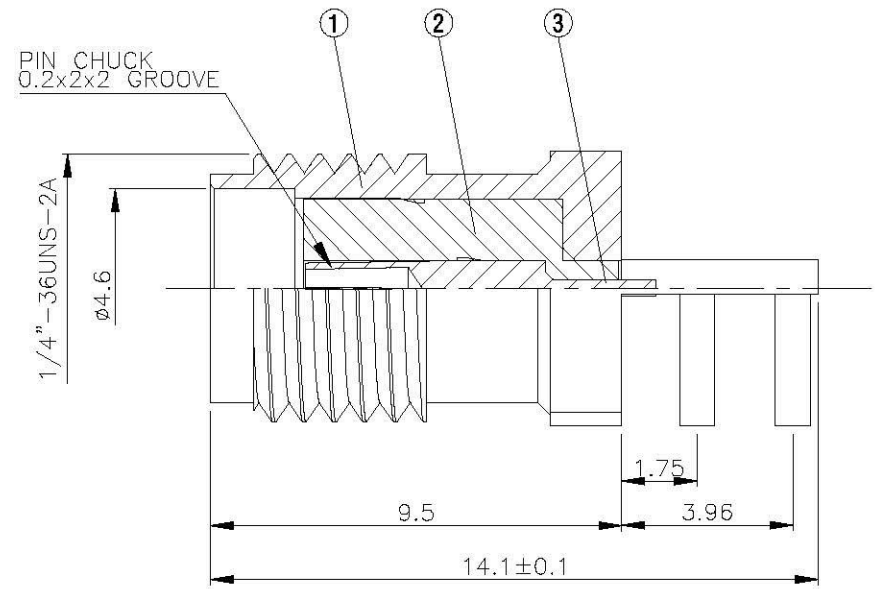


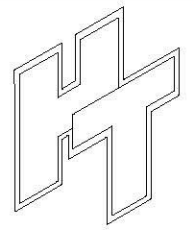
NO	DESCRIPTION	MATERIAL	Q'TY	FINISH	REMARK
1	BODY	BRASS	1	GOLD	B-SMA1421-G
2	INSULATION	TEFLON	1	TEFLON	I-0668T
3	PIN	BE CU	1	GOLD	P-SMA0995-G



D
C
B
A



D
C
B
A



Allconnectors
www.allconnectors.de
 Tel.: 0344 311 20400
 03091 Hildersdorf - Germany
Info@allconnectors.de
 Fax: 0344 311 20404
 Kettelestr. 21

TITLE **SMA FEMALE RECEPTACLE
 PC MOUNT SQUARE BODY**

PART NO. **SMA-10V36-TGG**

DRAWING NO. **SMA-10V36-TGG**

DRAWN DATE **98.06.17**

CHECKED DATE

Q.A. DATE

APPROVAL DATE

REVISION DATE

DATE **98.06.17**

DATE

DATE

DATE

DATE

DIMENSIONS ARE IN MILLIMETERS

UNLESS OTHERWISE SPECIFIED TOLERANCE

0.5-5 = ±0.2	120-315 = ±1
5-30 = ±0.4	315-1000 = ±1.6
30-120 = ±0.6	1000-2000 = ±2.4

SCALE 4:1 SIZE A

REVISION	
DESCRIPTION	ENGINEER

4 3 2 1