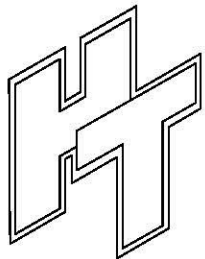
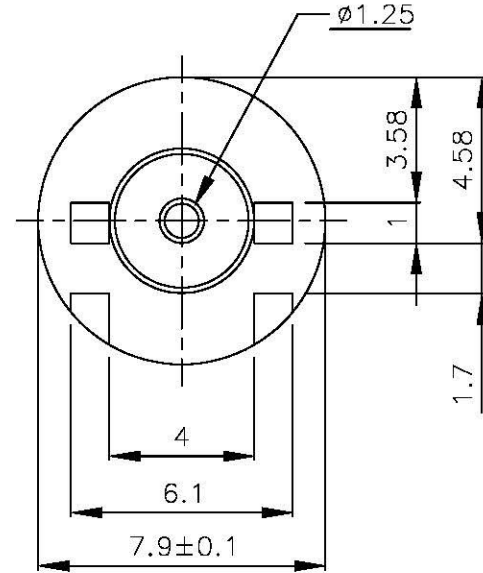
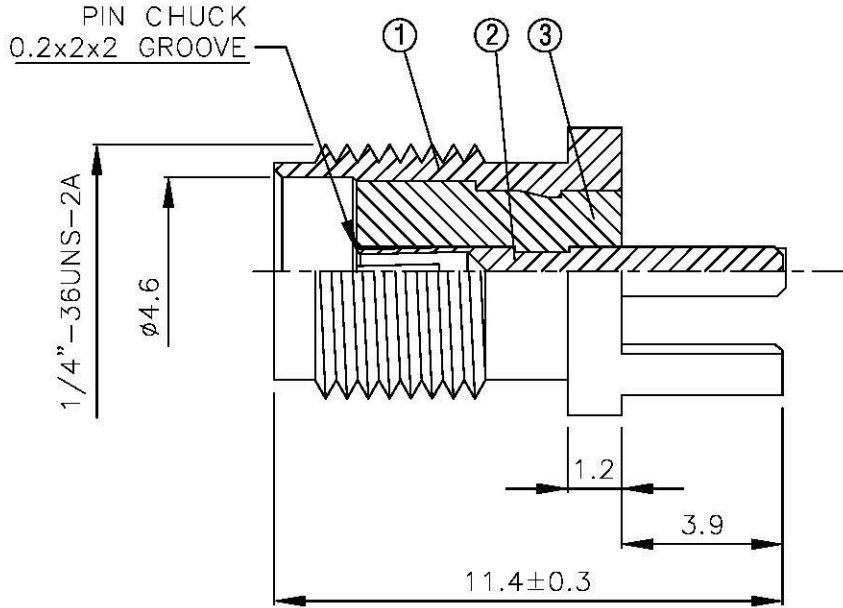
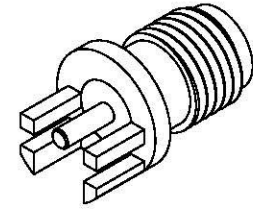


NO	DESCRIPTION	MATERIAL	Q'TY	FINISH	REMARK
1	BODY	BRASS	1	GOLD	B-SMA0633-N
2	PIN	BRASS	1	GOLD	P-SMA0205-G
3	INSULATION	TEFLON	1	TEFLON	I-0162T



**All Connectors**

www.allconnectors.de  
 info@allconnectors.de  
 35794 Filbersdorf - Germany

TITLE SMA FEMALE END LAUNCH

PART NO. SMA-10V29-TGN

DRAWING NO. SMA 10V29 TGN

DRAWN MARY DATE 96.05.09

CHECKED 蘇姿潔

Q.A. 馮健華

APPROVAL 徐燦霖

REVISION

DATE

DATE

DATE

DATE

DIMENSIONS ARE IN MILLIMETERS

UNLESS OTHERWISE SPECIFIED TOLERANCE  
 0.5-5=±0.2 120-315=±1  
 5-30=±0.4 315-1000=±1.6  
 30-120±0.6 1000-2000=±2.4

SCALE 4:1 SIZE A

REVISION

DESCRIPTION ENGINEER