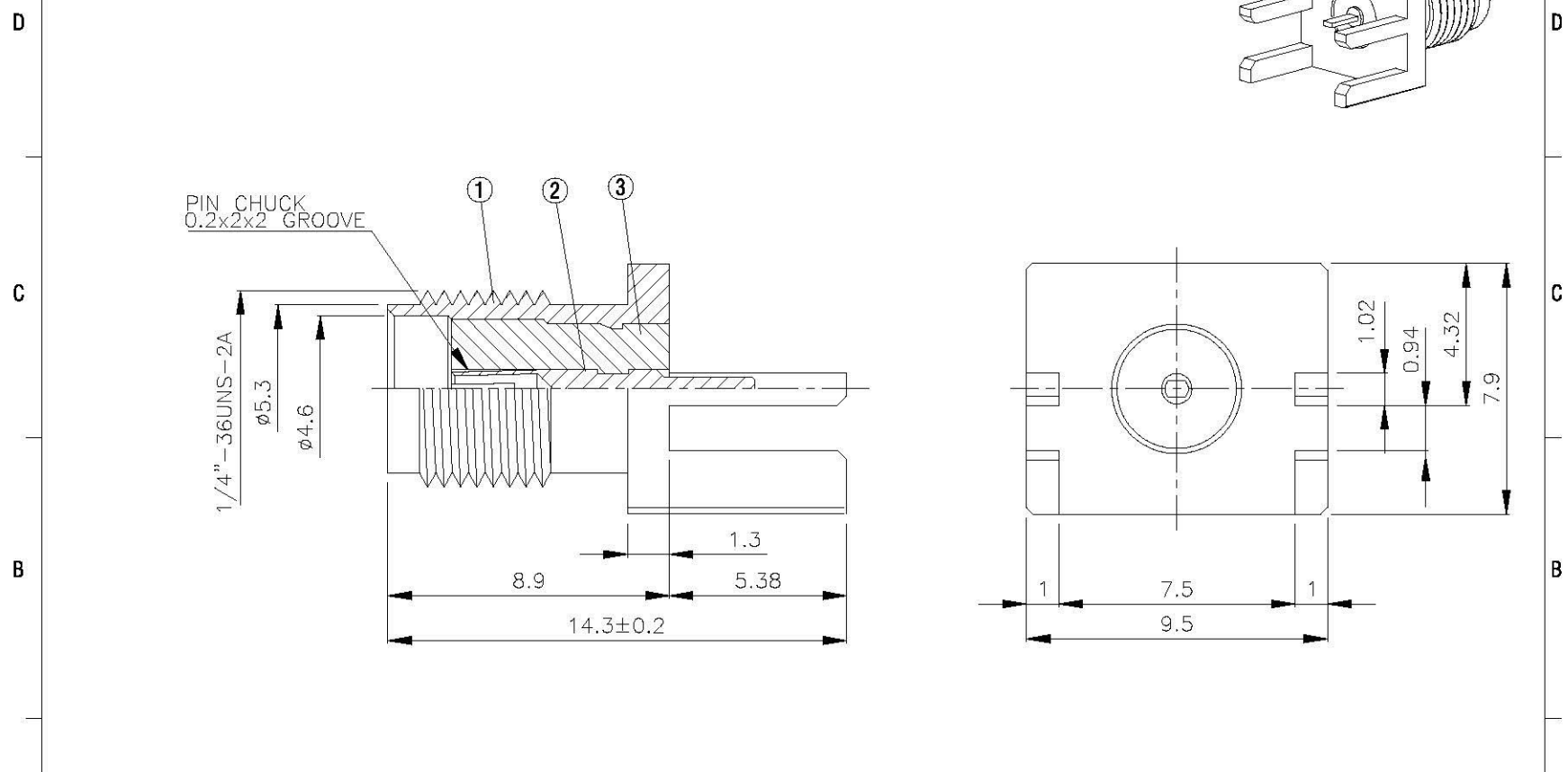
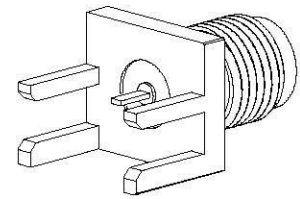
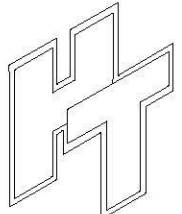



NO	DESCRIPTION	MATERIAL	Q'TY	FINISH	REMARK
1	BODY	BRASS	1	GOLD	B-SMA0335-G
2	PIN	BE CU	1	GOLD	P-SMA0339-G
3	INSULATION	TEFLON	1	TEFLON	I-0019T



		DRAWN MARY DATE 92.09.02	DIMENSIONS ARE IN MILLIMETERS			REVISION		
	<small>www.allconnectors.com TEL: 0086 471 6552014 ADDRESS: Zhongshan Road - Hangzhou</small>	<small>www.allconnectors.com TEL: 0086 471 6552014 ADDRESS: Zhongshan Road - Hangzhou</small>	CHECKED 蘇志欣 DATE 97.07.04	UNLESS OTHERWISE SPECIFIED TOLERANCE			DESCRIPTION	ENGINEER
	TITLE SMA FEMALE END LAUNCH RECEPTACLE -TAB CONTACT (BOARD THICKNESS 0.79)		Q.A. 蘇姿潔 DATE	0.5-5=±0.2 120-315=±1				
	PART NO. SMA-10V27-TGG		APPROVAL 徐家霖 DATE	5-30=±0.4 315-1000=±1.6				
DRAWING NO. SMA 10V27 TGG		REVISION DATE	30-120±0.6 1000-2000=±2.4	SCALE 4:1	SIZE A			