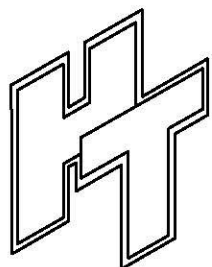
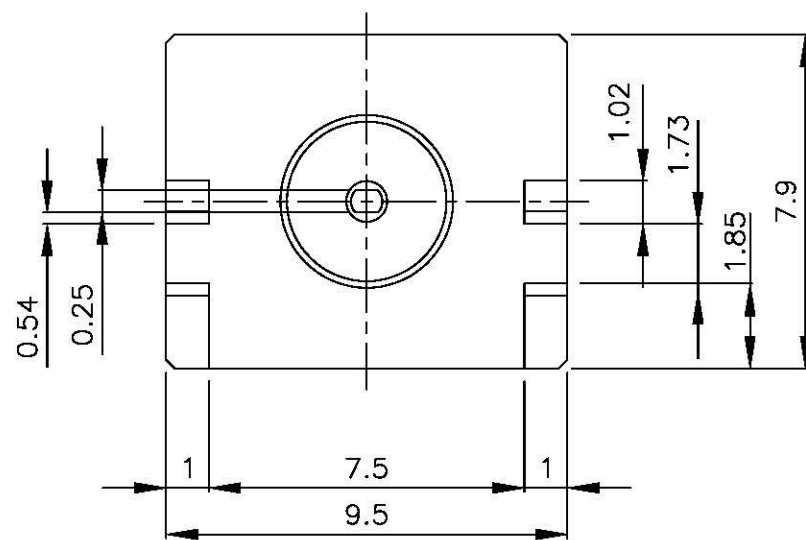
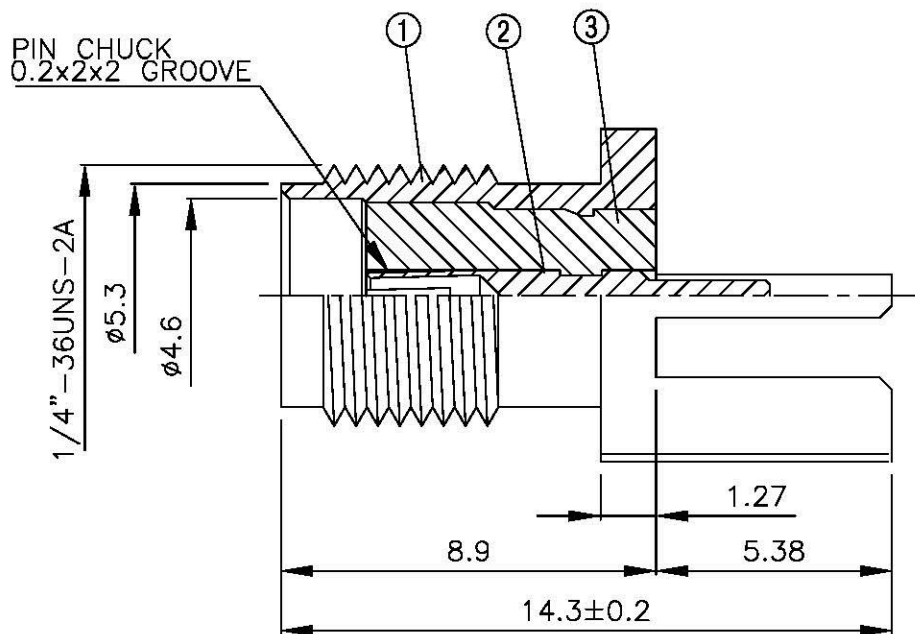
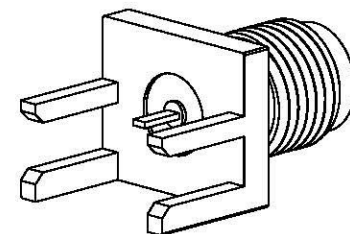


| NO | DESCRIPTION | MATERIAL | Q'TY | FINISH | REMARK      |
|----|-------------|----------|------|--------|-------------|
| 1  | BODY        | BRASS    | 1    | GOLD   | B-SMA0163-G |
| 2  | PIN         | BE CU    | 1    | GOLD   | P-SMA0339-G |
| 3  | INSULATION  | TEFLON   | 1    | TEFLON | I-0019T     |



**All Connectors**  
 20754 Pittsford - Germany

|          |      |      |          |
|----------|------|------|----------|
| DRAWN    | MARY | DATE | 96.03.28 |
| CHECKED  | 黄巧君  | DATE | 96.03.28 |
| Q.A.     | 蘇姿潔  | DATE |          |
| APPROVAL | 徐燦霖  | DATE |          |
| REVISION |      | DATE |          |

TITLE SMA FEMALE END LAUNCH RECEPTACLE  
 -TAB CONTACT (BOARD THICKNESS 1.57)  
 PART NO. SMA-10V26-TGG  
 DRAWING NO. SMA 10V26 TGG

|                                      |                |      |   |
|--------------------------------------|----------------|------|---|
| DIMENSIONS ARE IN MILLIMETERS        |                |      |   |
| UNLESS OTHERWISE SPECIFIED TOLERANCE |                |      |   |
| 0.5-5=±0.2                           | 120-315=±1     |      |   |
| 5-30=±0.4                            | 315-1000=±1.6  |      |   |
| 30-120±0.6                           | 1000-2000=±2.4 |      |   |
| SCALE                                | 4:1            | SIZE | A |

| REVISION    |          |
|-------------|----------|
| DESCRIPTION | ENGINEER |
|             |          |
|             |          |
|             |          |