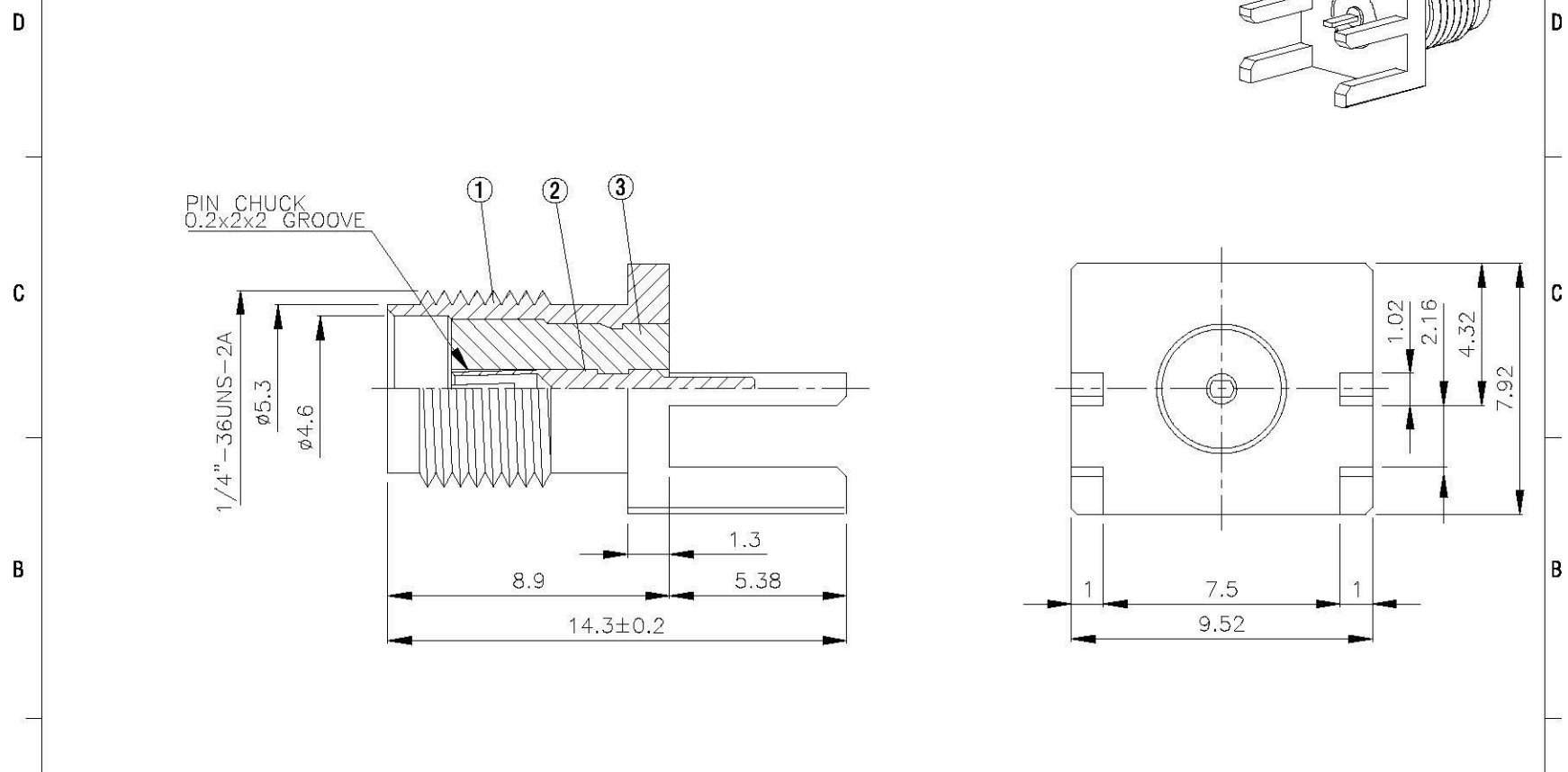
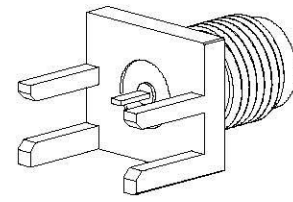
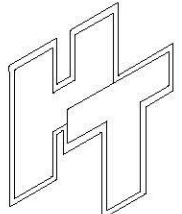


NO	DESCRIPTION	MATERIAL	Q'TY	FINISH	REMARK
1	BODY	BRASS	1	GOLD	B-SMA0491-G
2	PIN	BE CU	1	GOLD	P-SMA0339-G
3	INSULATION	TEFLON	1	TEFLON	I-0019T



	All Connectors <small>www.allconnectors.de Tel: +49 4102 412 04000 20254 Flensburg, Germany</small>	DRAWN MARY DATE 96.03.29	DIMENSIONS ARE IN MILLIMETERS			REVISION	
	TITLE SMA FEMALE END LAUNCH RECEPTACLE -TAB CONTACT (BOARD THICKNESS 2)	CHECKED 蘇志欣 DATE 97.07.04	UNLESS OTHERWISE SPECIFIED TOLERANCE			DESCRIPTION	ENGINEER
	PART NO. SMA-10V25-TGG	Q.A. 蘇姿潔 DATE	0.5-5=±0.2 120-315=±1 5-30=±0.4 315-1000=±1.6 30-120=±0.6 1000-2000=±2.4				
	DRAWING NO. SMA 10V25 TGG	APPROVAL 徐潔霖 DATE	SCALE 4:1 SIZE A				
	REVISION	DATE					