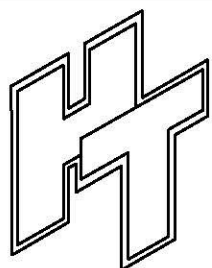
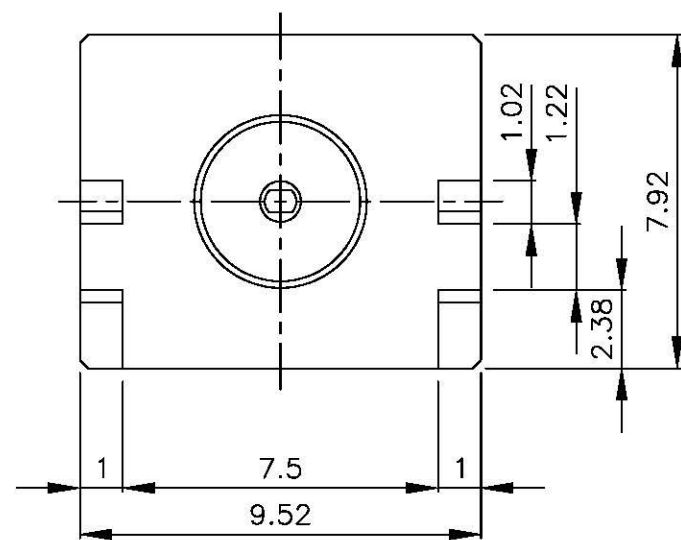
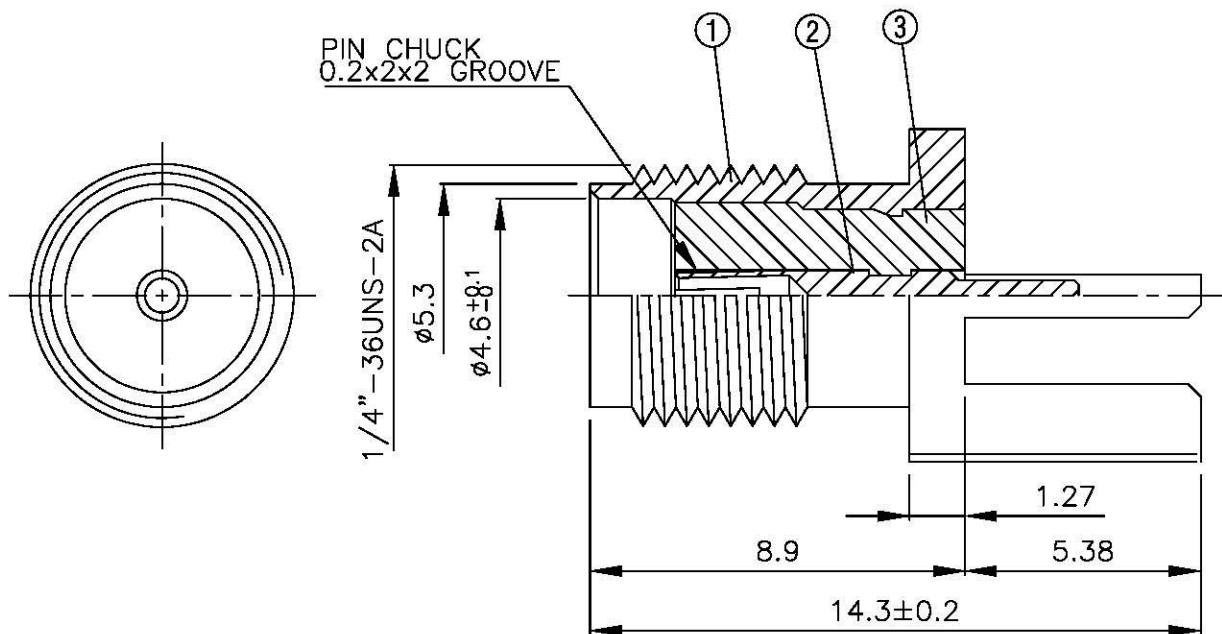
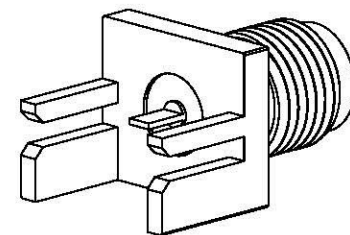


NO	DESCRIPTION	MATERIAL	Q'TY	FINISH	REMARK
1	BODY	BRASS	1	NICKEL	B-SMA0375-N
2	PIN	BE CU	1	GOLD	P-SMA0255-G
3	INSULATION	TEFLON	1	TEFLON	I-0019T



**All Connectors**  
 www.allconnectors.de info@allconnectors.de  
 Tel: 0049 711 790690 Fax: 0049 711 790694  
 70564 Wilferstede, Germany Kostumerstr. 25

TITLE SMA FEMALE END LAUNCH  
 TAB CONTACT (BOARD THICKNESS 1.07)

PART NO. SMA-10V24-TGN

DRAWING NO. SMA 10V24 TGN

DRAWN	MARY	DATE	96.03.27
CHECKED	黄巧君	DATE	
Q.A.	蘇姿潔	DATE	
APPROVAL	徐燦霖	DATE	
REVISION		DATE	

DIMENSIONS ARE IN MILLIMETERS			
UNLESS OTHERWISE SPECIFIED TOLERANCE			
0.5-5=±0.2	120-315=±1		
5-30=±0.4	315-1000=±1.6		
30-120±0.6	1000-2000=±2.4		
SCALE	4:1	SIZE	A

REVISION	
DESCRIPTION	ENGINEER