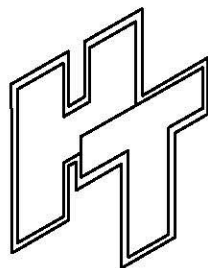
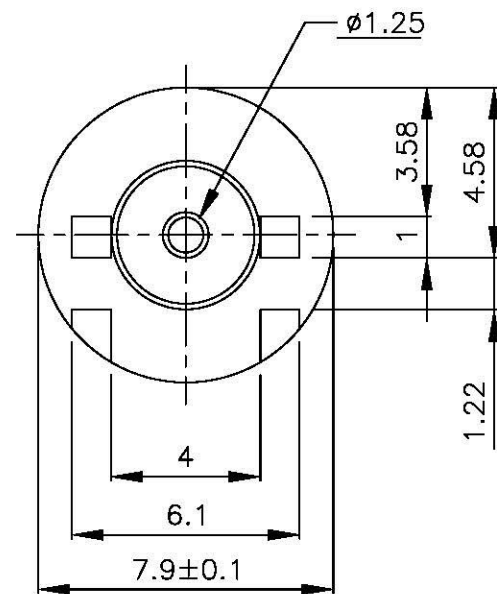
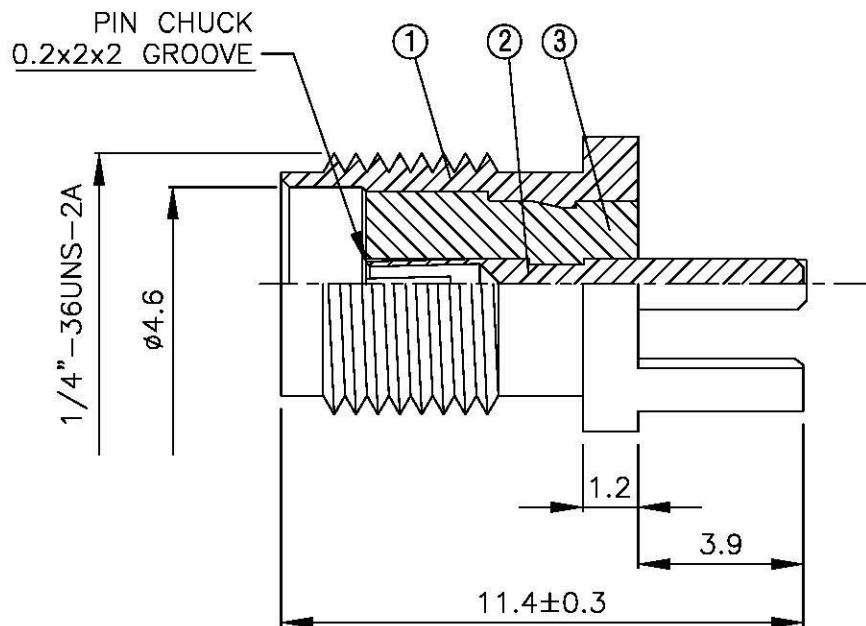
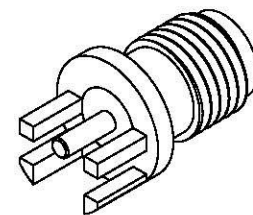


NO	DESCRIPTION	MATERIAL	Q'TY	FINISH	REMARK
1	BODY	BRASS	1	GOLD	B-SMA0382-G
2	PIN	BE CU	1	GOLD	P-SMA0205-G
3	INSULATION	TEFLON	1	TEFLON	I-0162T



All Connectors
 www.allconnectors.de info@allconnectors.de
 ALL CONNECTORS GMBH
 ALPH Lohrstraße - Germany Kellernheim, 26

TITLE SMA FEMALE END LAUNCH
 TAB CONTACT (BOARD THICKNESS 1.07)

PART NO. SMA-10V19-TGG

DRAWING NO. SMA 10V18 TGG

DRAWN MARY DATE 96.03.27

CHECKED 黄巧君 DATE 96.03.27

Q.A. 蘇姿潔 DATE

APPROVAL 徐燦霖 DATE

REVISION DATE

DIMENSIONS ARE IN MILLIMETERS

UNLESS OTHERWISE SPECIFIED
 TOLERANCE

0.5-5=±0.2 120-315=±1

5-30=±0.4 315-1000=±1.6

30-120±0.6 1000-2000=±2.4

SCALE 4:1 SIZE A

REVISION

DESCRIPTION ENGINEER