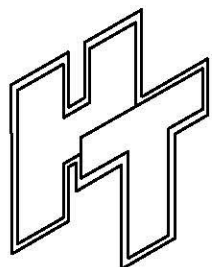
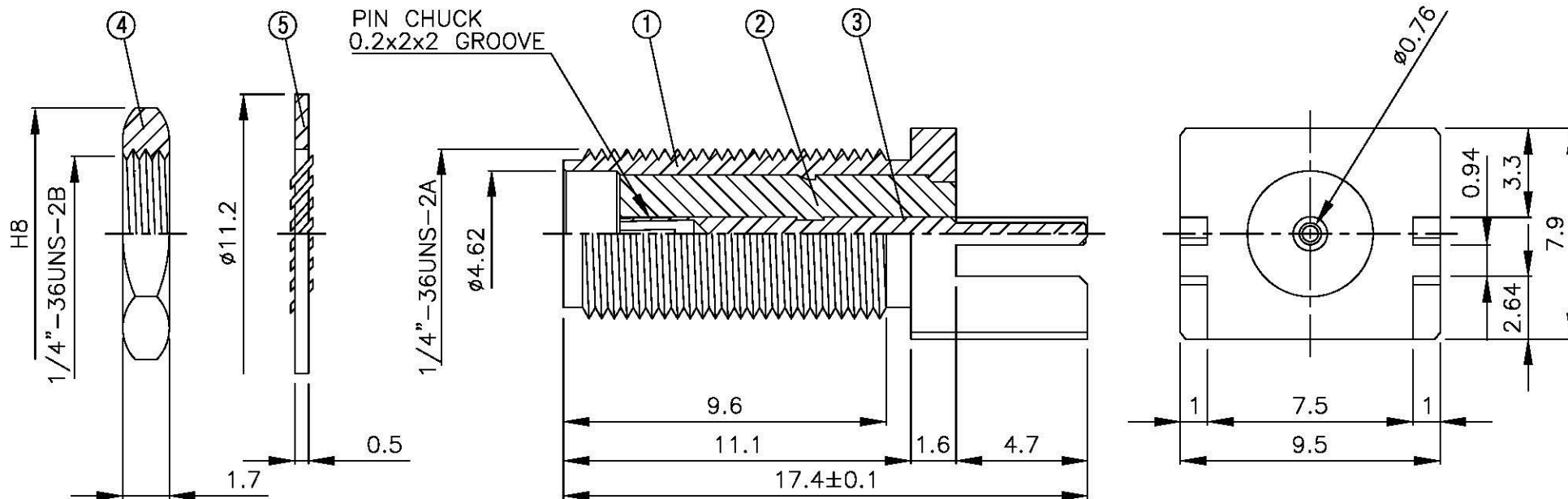
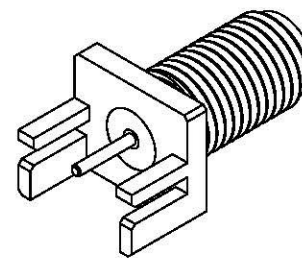
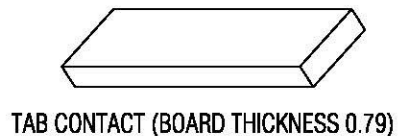


NO	DESCRIPTION	MATERIAL	Q'TY	FINISH	REMARK
1	BODY	BRASS	1	NICKEL	B-SMA0493-N
2	INSULATION	TEFLON	1	TEFLON	I-0016T
3	PIN	BE CU	1	GOLD	P-SMA0098-G
4	NUT	BRASS	1	NICKEL	N-0006-N
5	WASHER	BRASS	1	NICKEL	W-0016-N



All Connectors

www.allconnectors.de
 TEL: 0049 711 7009503
 70794 Filzschmitt - Germany

info@allconnectors.de
 FAX: 0049 711 7009504
 Kette: 0049 711 7009504

TITLE
SMA FEMALE END LAUNCH

PART NO.
SMA-10V13-TGN

DRAWING NO.
SMA 10V13 TGN

DRAWN MARY DATE 96.03.12

CHECKED **黃巧君** DATE

Q.A. **蘇姿潔** DATE

APPROVAL **徐燦霖** DATE

REVISION DATE

DIMENSIONS ARE IN MILLIMETERS

UNLESS OTHERWISE SPECIFIED TOLERANCE
 0.5-5=±0.2 120-315=±1
 5-30=±0.4 315-1000=±1.6
 30-120±0.6 1000-2000=±2.4

SCALE 4:1 SIZE A

REVISION

DESCRIPTION	ENGINEER