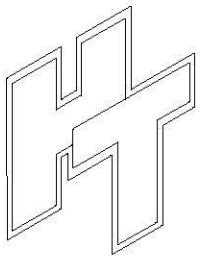
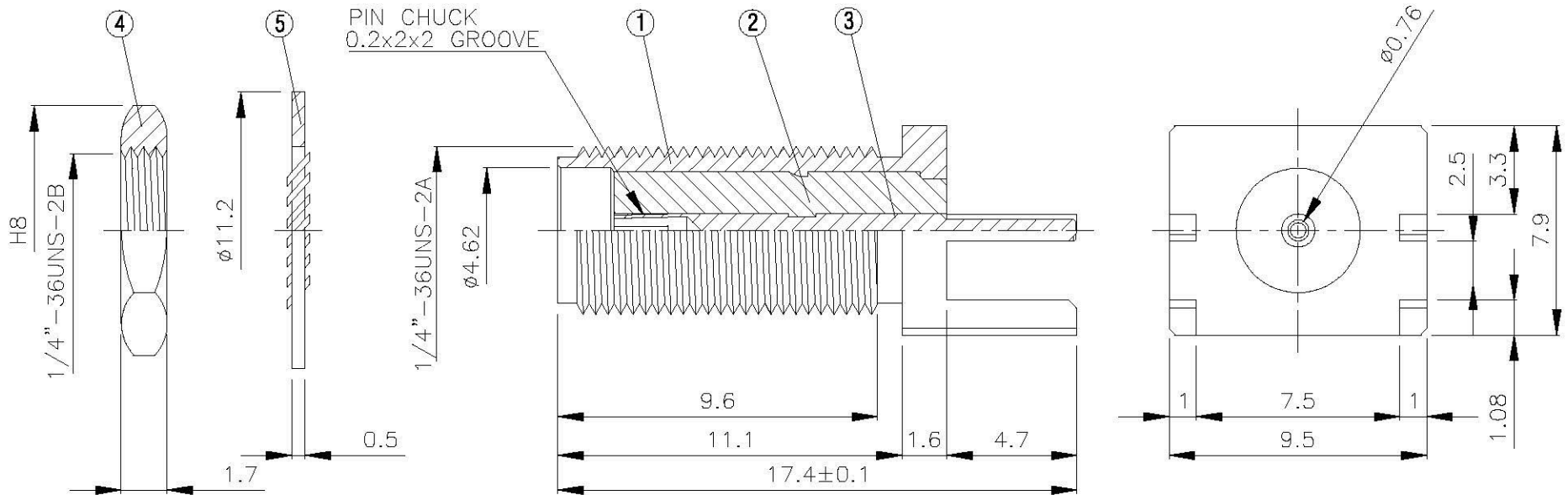
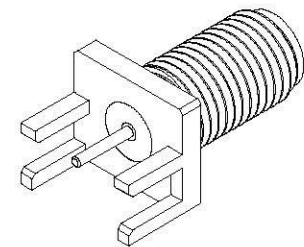


NO	DESCRIPTION	MATERIAL	Q'TY	FINISH	REMARK
1	BODY	BRASS	1	GOLD	B-SMA1809-G
2	INSULATION	TEFLON	1	TEFLON	I-0016T
3	PIN	BE CU	1	GOLD	P-SMA0098-G
4	NUT	BRASS	1	GOLD	N-0006-G
5	WASHER	BRASS	1	GOLD	W-0016-G



**All Connectors**  
 www.allconnectors.de | info@allconnectors.de  
 Tel: 0049 (0) 1800090 | Fax: 0049 (0) 1800094  
 20296 Ellersdorf, Germany | Göttinger Str. 33

**TITLE SMA FEMALE END LAUNCH  
 TAB CONTACT (BOARD THICKNESS 2.36)**

**PART NO. SMA-10V10-TGG**

**DRAWING NO. SMA 10V10 TGG**

**DRAWN** 蘇姿潔 **DATE** 100.06.01

**CHECKED** 蘇志欣 **DATE**

**Q.A.** 莊千慧 **DATE**

**APPROVAL** 徐燦霖 **DATE**

**REVISION** **DATE**

**DIMENSIONS ARE IN MILLIMETERS**

**UNLESS OTHERWISE SPECIFIED TOLERANCE**

0.5-5 = ±0.2	120-315 = ±1
5-30 = ±0.4	315-1000 = ±1.6
30-120 = ±0.6	1000-2000 = ±2.4

**SCALE** 4:1 **SIZE** A

REVISION	
DESCRIPTION	ENGINEER