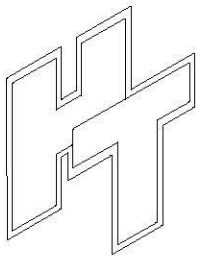
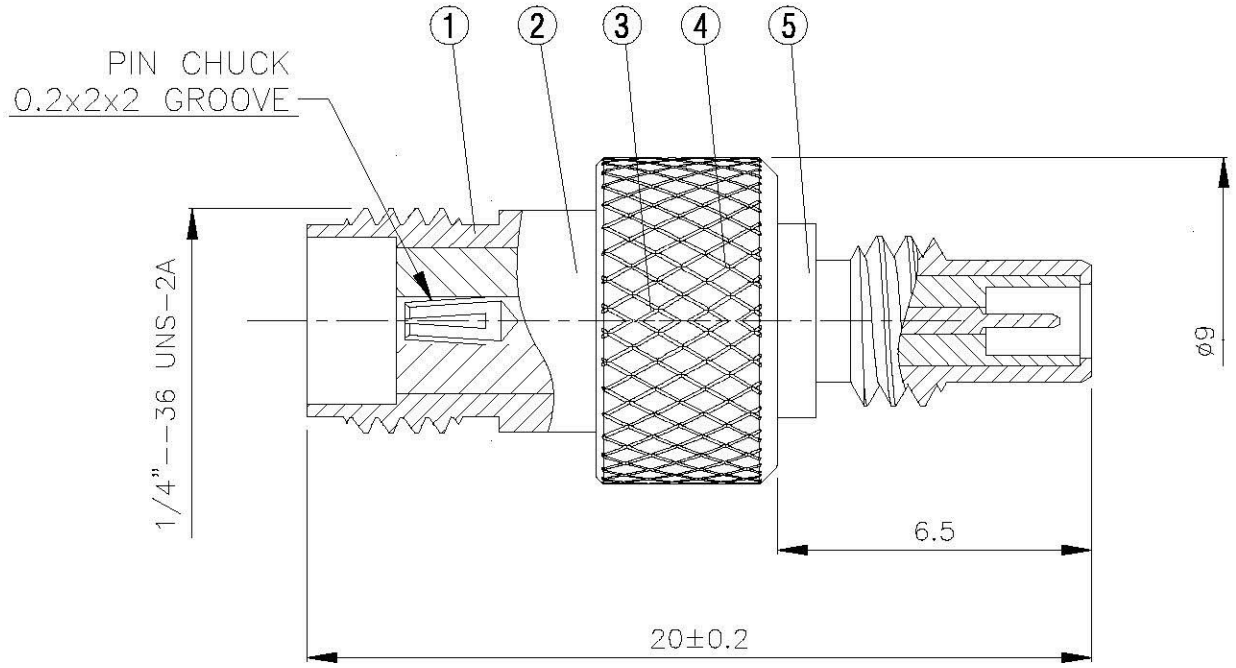
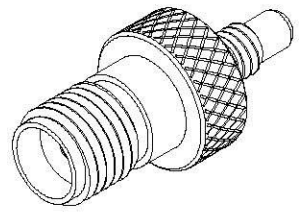


NO	DESCRIPTION	MATERIAL	Q'TY	FINISH	REMARK
1	BODY 1	BRASS	1	GOLD	B-SMA0632-G
2	INSULATION 1	TEFLON	1	TEFLON	I-0286T
3	PIN	BE CU	1	GOLD	P-MCX0405-G
4	INSULATION 2	TEFLON	1	TEFLON	
5	BODY 2	BRASS	1	GOLD	



**All Connectors**  
 www.allconnectors.de  
 Tel.: 0049 711 7009208  
 70571 Hilderstadt - Germany

Info@allconnectors.de  
 Fax: 0049 711 7009204  
 Kettelerstr. 2B

**TITLE SMA FEMALE - SSMC MALE ADAPTOR**

**PART NO. SMA-104-TGG**

**DRAWING NO. SMA 104 TGG**

**DRAWN** 蘇姿潔 **DATE** 99.06.27

**CHECKED** 蘇志欣 **DATE** 99.06.27

**Q.A.** 莊千慧 **DATE**

**APPROVAL** 徐燦霖 **DATE**

**REVISION** **DATE**

**DATE** 99.06.27

**DATE** 99.06.27

**DATE**

**DATE**

**DATE**

**DIMENSIONS ARE IN MILLIMETERS**

**UNLESS OTHERWISE SPECIFIED TOLERANCE**

0.5-5 = ±0.2	120-315 = ±1
5-30 = ±0.4	315-1000 = ±1.6
30-120 = ±0.6	1000-2000 = ±2.4

**SCALE** 4:1 **SIZE** A

REVISION	
DESCRIPTION	ENGINEER