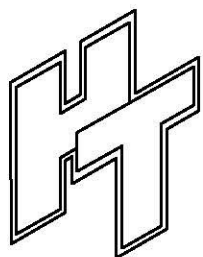
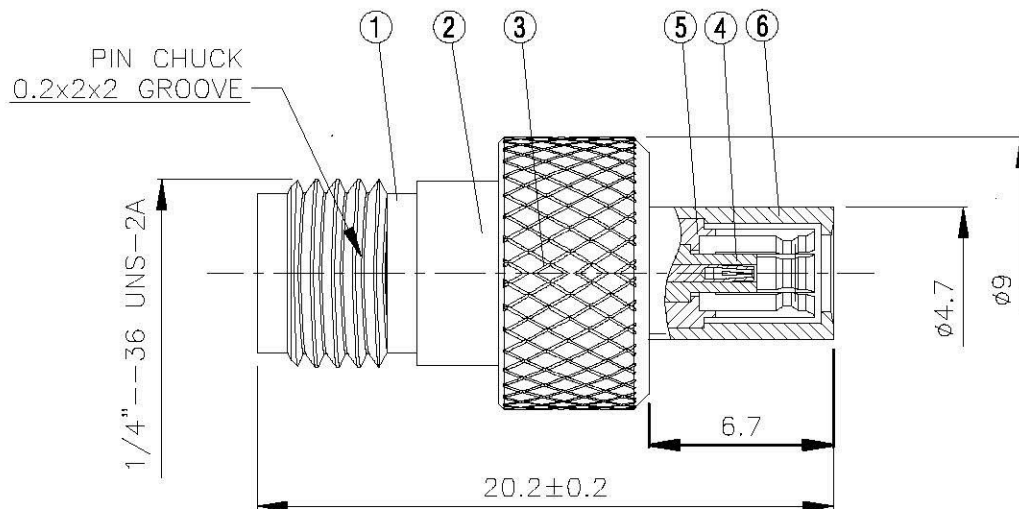
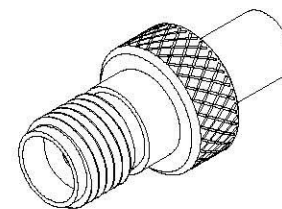


| NO | DESCRIPTION | MATERIAL | Q'TY | FINISH |
|----|--------------|----------|------|--------|
| 1 | BODY 1 | BRASS | 1 | GOLD |
| 2 | INSULATION 1 | TEFLON | 1 | TEFLON |
| 3 | PIN | BE CU | 1 | GOLD |
| 4 | INSULATION 2 | TEFLON | 1 | TEFLON |
| 5 | BODY 2 | BRASS | 1 | GOLD |
| 6 | BODY 3 | BRASS | 1 | GOLD |



All Connectors

www.allconnectors.de
Tel.: 0049 711 7005228
70384 Filzschlössle | Germany

info@allconnectors.de
Fax: 0049 711 7005294
info@connector.de

TITLE SMA FEMALE - SSMB FEMALE ADAPTOR

PART NO. SMA-103-TGG

DRAWING NO. SMA 103 TGG

DRAWN 蘇姿潔 **DATE** 98.02.03

CHECKED 蘇志欣 **DATE**

Q.A. 莊千慧 **DATE**

APPROVAL 徐燦霖 **DATE**

REVISION **DATE**

DIMENSIONS ARE IN MILLIMETERS

UNLESS OTHERWISE SPECIFIED TOLERANCE

0.5-5 = ±0.2 120-315 = ±1

5-30 = ±0.4 315-1000 = ±1.6

30-120 = ±0.6 1000-2000 = ±2.4

SCALE 4:1 **SIZE** A

REVISION

DESCRIPTION **ENGINEER**

4

3

2

1