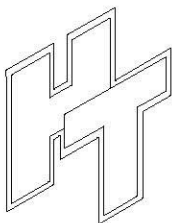
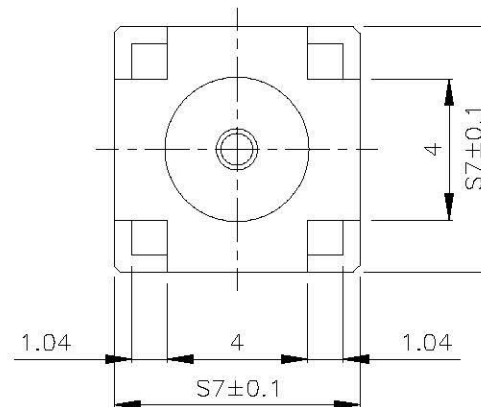
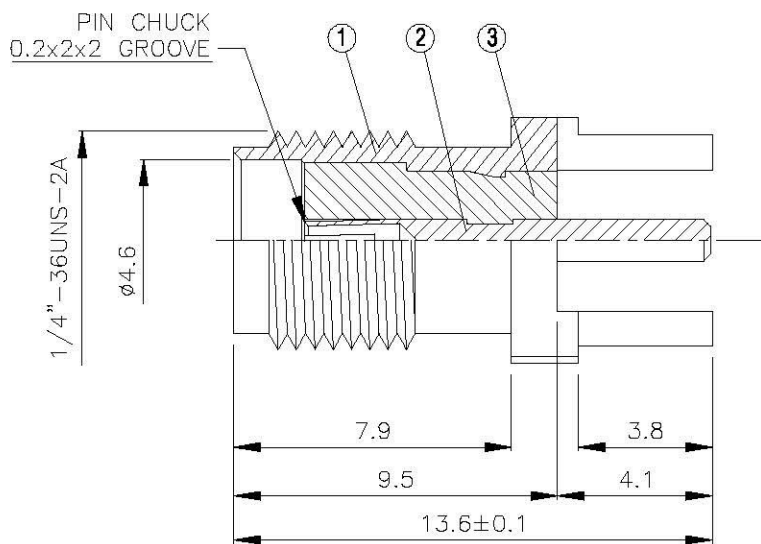
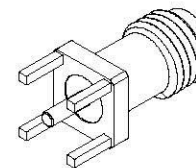
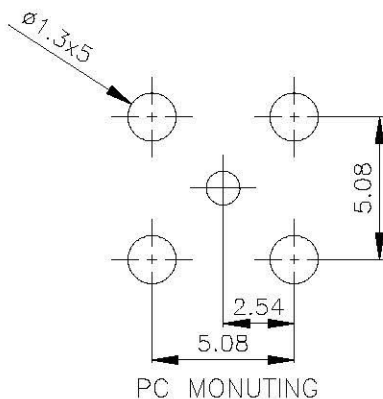


NO	DESCRIPTION	MATERIAL	Q'TY	FINISH	REMARK
1	BODY	BRASS	1	GOLD	B-SMA0041-G
2	PIN	BE CU	1	GOLD	P-SMA0133-G
3	INSULATION	TEFLON	1	TEFLON	I-0106T



All Connectors

www.allconnectors.de
Tel.: 0049 7141 700000
70734 Ulm (Germany)

info@allconnectors.de
Fax: 0049 7141 700004
klemmer@allconnectors.de

TITLE
SMA FEMALE PCB MOUNT

PART NO.
SMA-10-TGG

DRAWING NO.
SMA 10 TGG

DRAWN **MARY** DATE **90.11.20**

CHECKED **蘇姿潔** DATE

Q.A. **馮健華** DATE

APPROVAL **徐煥霖** DATE

REVISION DATE

DIMENSIONS ARE IN MILLIMETERS

UNLESS OTHERWISE SPECIFIED TOLERANCE

0.5-5=±0.2 120-315=±1
5-30=±0.4 315-1000=±1.6
30-120=±0.6 1000-2000=±2.4

SCALE 4:1 SIZE A

REVISION

DESCRIPTION ENGINEER

4

3

2

1

D

D

C

C

B

B

A

A