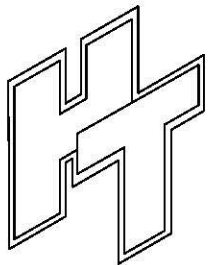
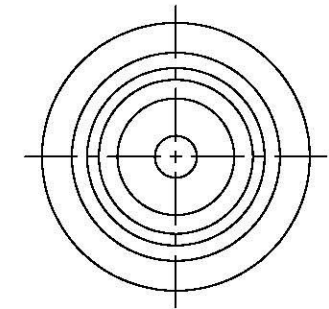
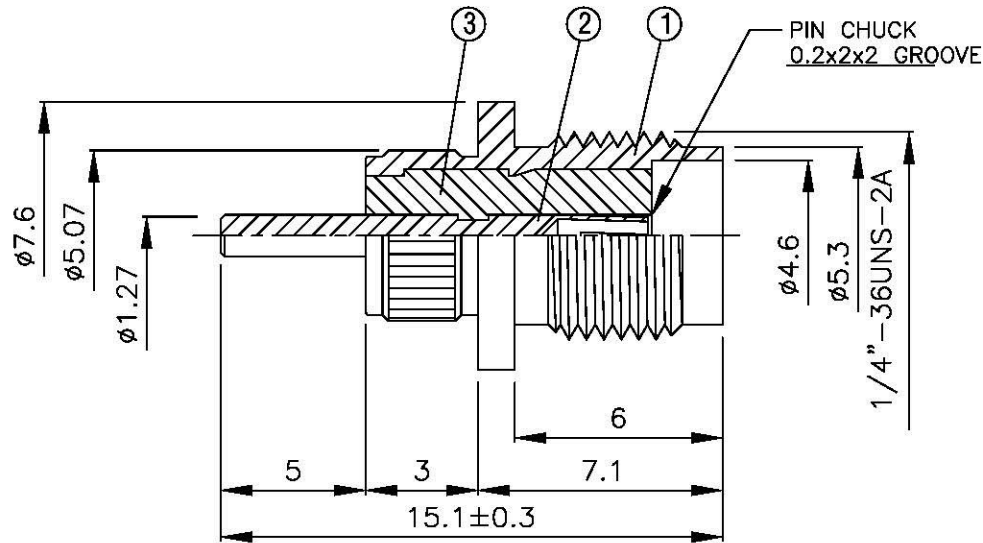
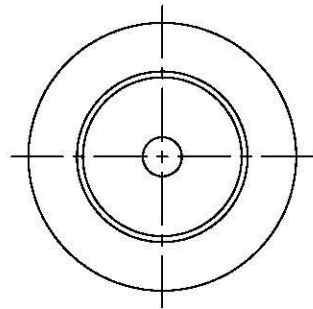
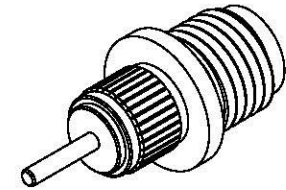


NO	DESCRIPTION	MATERIAL	Q'TY	FINISH	REMARK
1	BODY	BRASS	1	GOLD	B-SMA0453-G
2	PIN	BE CU	1	GOLD	P-SMA0299-G
3	INSULATION	TEFLON	1	TEFLON	I-0216T



**All Connectors**

www.allconnectors.de  
Tel: 0049 711 7005083  
70754 Filzschmitt Germany

Info@allconnectors.de  
Fax: 0049 711 7005004  
Hottelmuellerstr. 25

TITLE  
**SMA FEMALE BULKHEAD RECEPTACLE**

PART NO.  
**SMA-09V9-TGG**

DRAWING NO. **SMA 09V9 TGG**

DRAWN **MARY** DATE **96.03.27**

CHECKED **蘇姿潔** DATE

Q.A. **馮健華** DATE

APPROVAL **徐燦霖** DATE

REVISION DATE

DIMENSIONS ARE IN MILLIMETER

UNLESS OTHERWISE SPECIFIED TOLERANCE

0.5-5 = ± 0.2 120-315 = ± 1

5-30 = ± 0.4 315-1000 = ± 1.6

30-120 = ± 0.6 1000-2000 = ± 2.4

SCALE 4:1 SIZE A

REVISION

DESCRIPTION ENGINEER