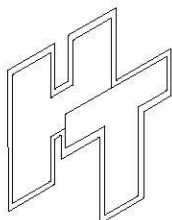
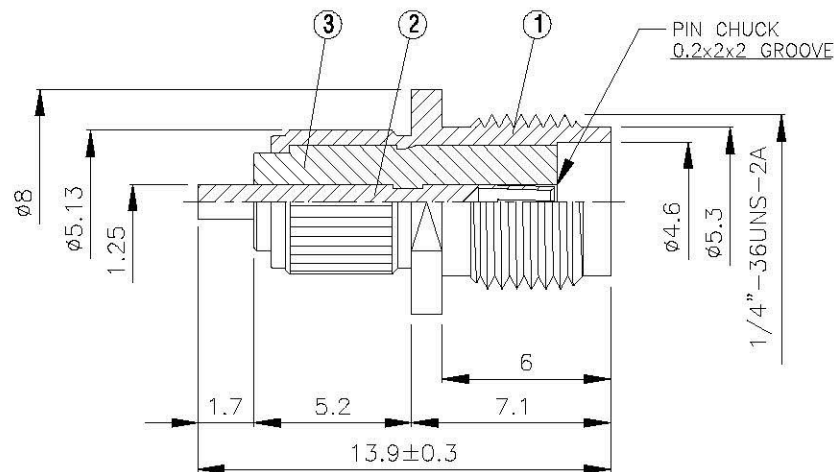
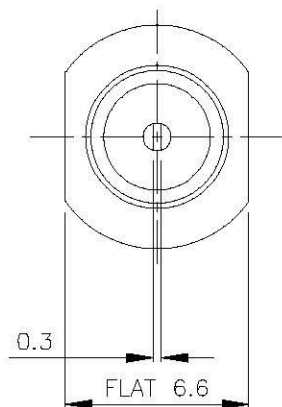
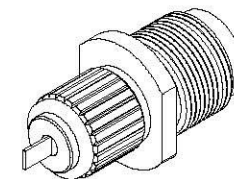


NO	DESCRIPTION	MATERIAL	Q'TY	FINISH	REMARK
1	BODY	BRASS	1	GOLD	B-SMA0143-G
2	PIN	BE CU	1	GOLD	P-SMA0093-G
3	INSULATION	TEFLON	1	TEFLON	I-0012T



All Connectors
 www.allconnectors.de
 Tel: +49 410 711 7603803
 39194 Hildersdorf Germany

info@allconnectors.de
 Fax: +49 410 711 7603801
 info@amr.cn

TITLE SMA FEMALE BULKHEAD RECEPTACLE

PART NO. SMA-09V6-TGG

DRAWING NO. SMA 09V6 TGG

DRAWN MARY DATE 96.03.14
 CHECKED 黄巧君 DATE
 Q.A. 蘇姿潔 DATE
 APPROVAL 徐燦霖 DATE
 REVISION DATE

DIMENSIONS ARE IN MILLIMETER

UNLESS OTHERWISE SPECIFIED TOLERANCE

0.5-5=±0.2 120-315=±1
 5-30=±0.4 315-1000=±1.6
 30-120=±0.6 1000-2000=±2.4

SCALE 4:1 SIZE A

REVISION	
DESCRIPTION	ENGINEER