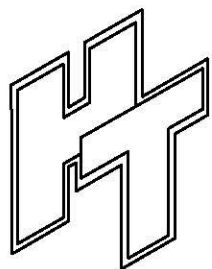
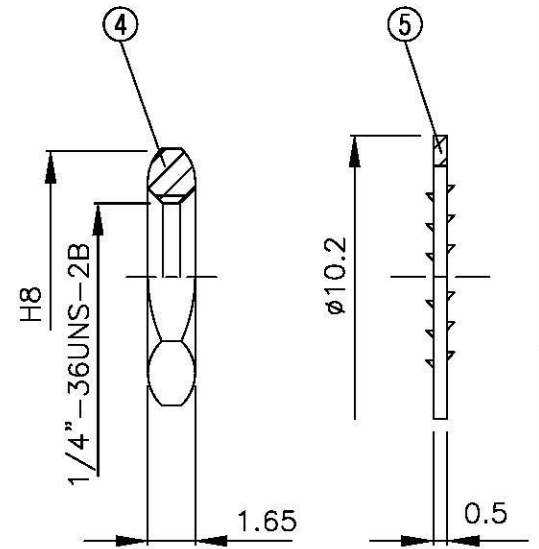
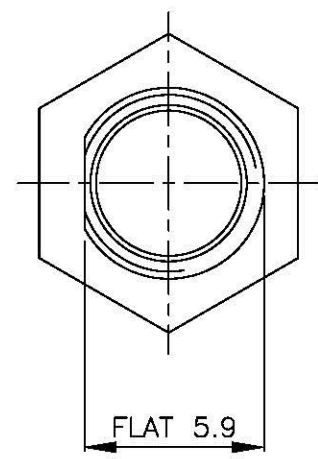
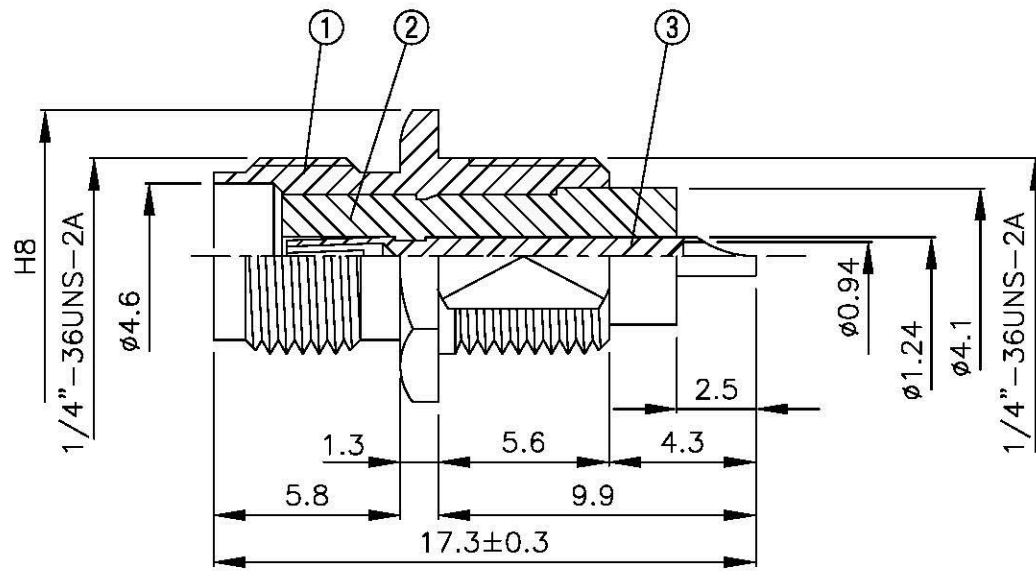
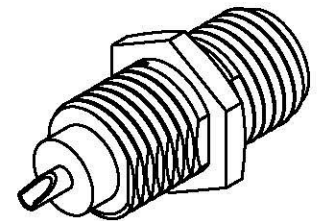
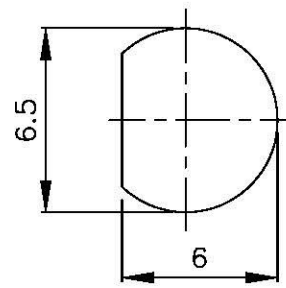


NO	DESCRIPTION	MATERIAL	Q'TY	FINISH	REMARK
1	BODY	BRASS	1	GOLD	B-SMA0087-G
2	INSULATION	TEFLON	1	TEFLON	I-0139T
3	PIN	BE CU	1	GOLD	P-SMA0073-G
4	NUT	BRASS	1	GOLD	N-0006
5	WASHER	BRASS	1	GOLD	W-0016



All Connectors
 www.allconnectors.de
 Tel: 0049 291 299201
 70794 Fillesrodt Germany

Info@allconnectors.de
 Fax: 0049 291 2991009
 Kettelerstr. 22

TITLE **SMA FEMALE BULKHEAD**

PART NO. **SMA-09V4-TGG**

DRAWING NO. **SMA 09V4 TGG**

DRAWN	MARY	DATE	96.03.15
CHECKED	蘇姿潔	DATE	
Q.A.	馮健華	DATE	
APPROVAL	徐燦霖	DATE	
REVISION		DATE	

DIMENSIONS ARE IN MILLIMETERS

UNLESS OTHERWISE SPECIFIED TOLERANCE

0.5-5=±0.2	120-315=±1
5-30=±0.4	315-1000=±1.6
30-120±0.6	1000-2000=±2.4

SCALE 4:1 SIZE A

REVISION	
DESCRIPTION	ENGINEER