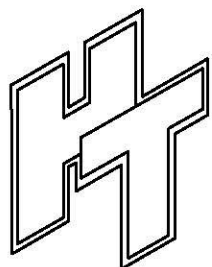
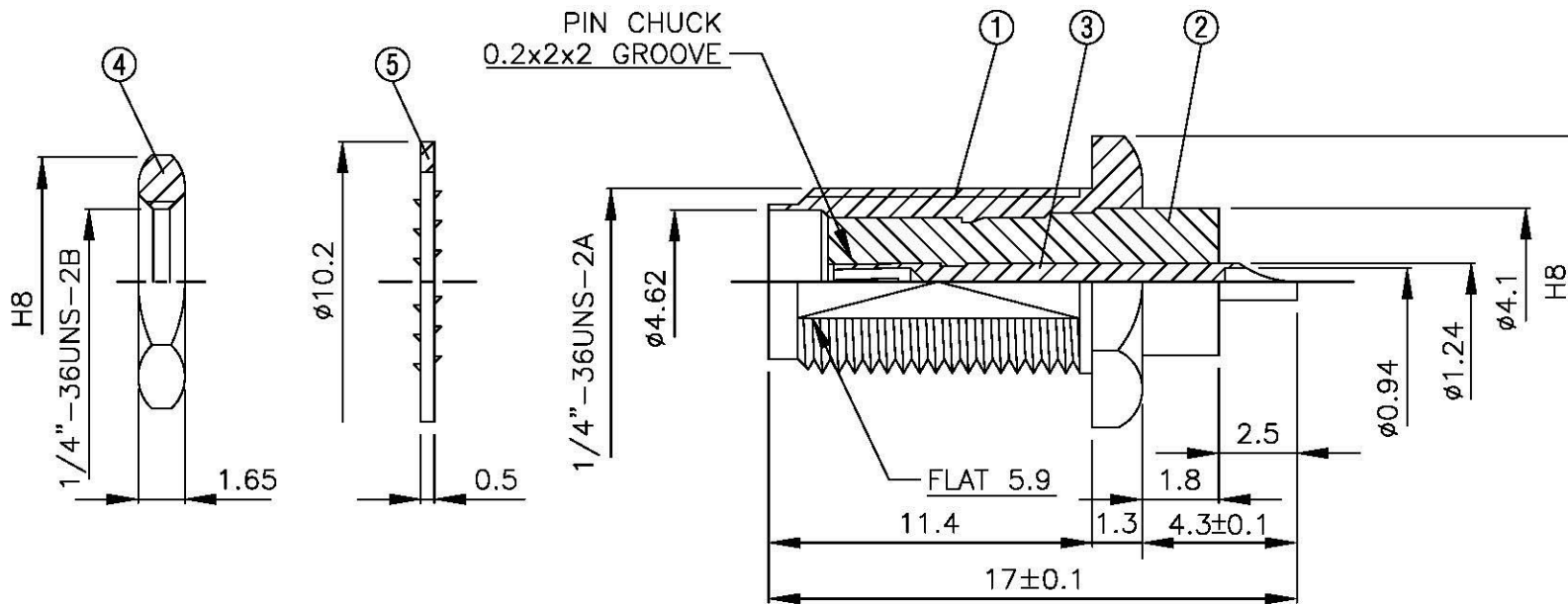
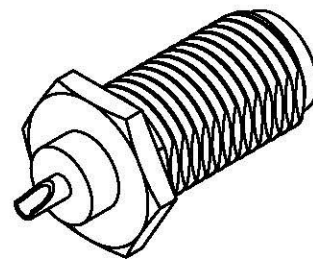


NO	DESCRIPTION	MATERIAL	Q'TY	FINISH	REMARK
1	BODY	BRASS	1	GOLD	B-SMA0088-G
2	INSULATION	TEFLON	1	TEFLON	I-0139T
3	PIN	BE CU	1	GOLD	P-SMA0073-G
4	NUT	BRASS	1	GOLD	N-0006
5	WASHER	BRASS	1	GOLD	W-0016



**All Connectors**

www.allconnectors.com  
Tel.: 0049 711 9099003  
70791 Filderstadt - Germany

info@allconnectors.com  
Fax: 0049 711 9099004  
ketter@allconnectors.com

TITLE  
**SMA FEMALE BULKHEAD**

PART NO.  
**SMA-09-TGG**

DRAWING NO.  
**SMA 09 TGG**

DRAWN MARY DATE 96.03.15

CHECKED 黄巧君 DATE

Q.A. 蘇姿潔 DATE

APPROVAL 徐燦霖 DATE

REVISION DATE

DIMENSIONS ARE IN MILLIMETERS

UNLESS OTHERWISE SPECIFIED  
TOLERANCE

0.5-5=±0.2	120-315=±1
5-30=±0.4	315-1000=±1.6
30-120±0.6	1000-2000=±2.4

SCALE 4:1 SIZE A

REVISION

DESCRIPTION	ENGINEER