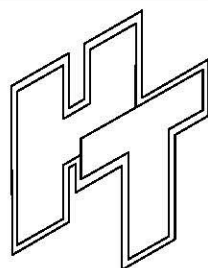
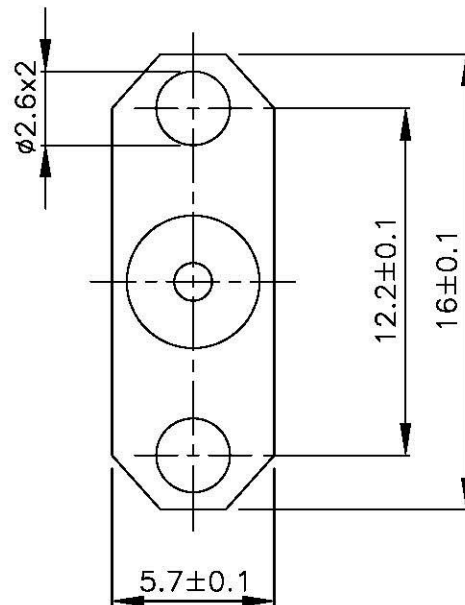
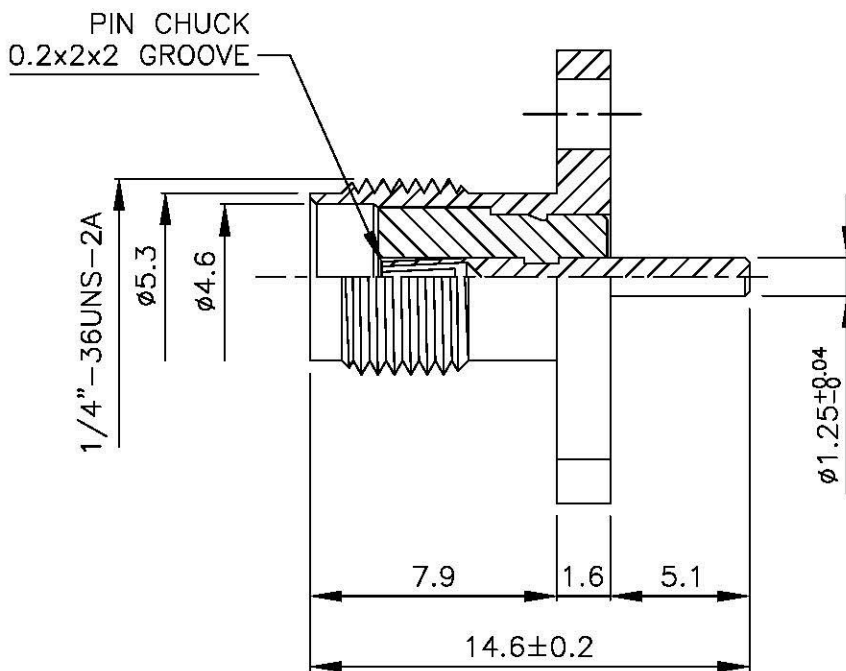
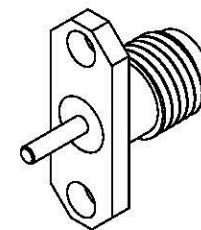


NO	DESCRIPTION	MATERIAL	Q'TY	FINISH	REMARK
1	BODY	BRASS	1	NICKEL	B-SMA0036-N
2	INSULATION	TEFLON	1	TEFLON	I-0106T
3	PIN	BE CU	1	GOLD	P-SMA0033-G



All Connectors

www.allconnectors.com
Tel: 0049 711 406005
70564 Hilderstadt - Germany

info@allconnectors.com
Fax: 0049 711 406001
Kettnerstr. 25

TITLE
SMA FEMALE PC MOUNT

PART NO.
SMA-08V9-TGN

DRAWING NO.
SMA 08V9 TGN

DRAWN MARY DATE 96.03.15

CHECKED 沈佳德 DATE

Q.A. 蘇姿潔 DATE

APPROVA 徐燦霖 DATE

REVISION DATE

DIMENSIONS ARE IN MILLIMETERS

UNLESS OTHERWISE SPECIFIED TOLERANCE

0.5-5=±0.2	120-315=±1
5-30=±0.4	315-1000=±1.6
30-120±0.6	1000-2000=±2.4

SCALE 4:1 SIZE A

REVISION

DESCRIPTION	ENGINEER