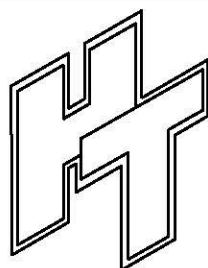
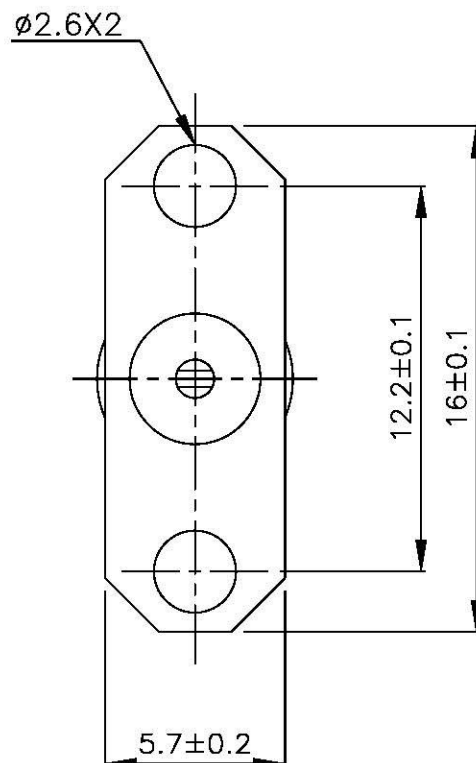
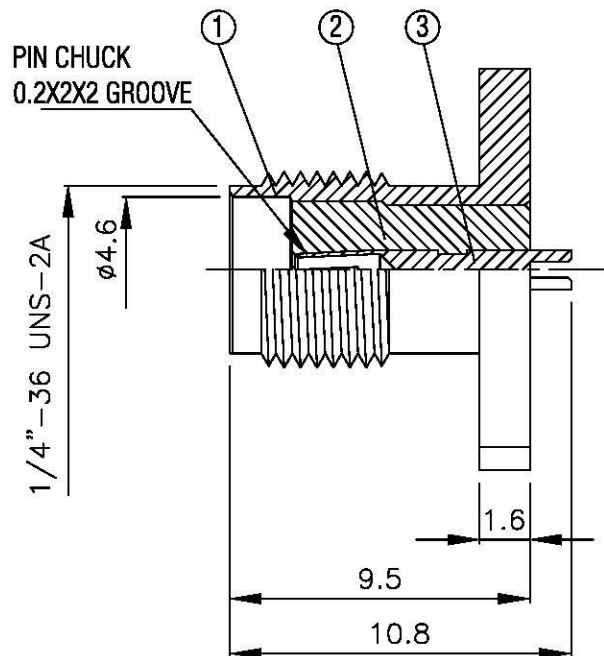
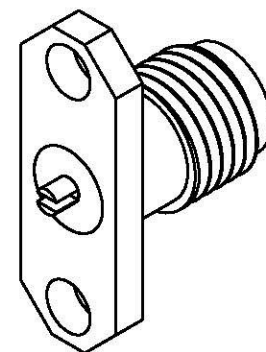


NO	DESCRIPTION	MATERIAL	Q'TY	FINISH	REMARK
1	BODY	BRASS	1	NICKEL	B-SMA0036-N
2	INSULATION	TEFLON	1	TEFLON	I-0106T
3	PIN	BE CU	1	GOLD	P-SMA0032-G



All Connectors
 www.allconnectors.com
 TEL: 8620-221-9009/221-9009/221-9009/221-9009
 WWW: www.allconnectors.com

TITLE **SMA FEMALE PC MOUNT**

PART NO. **SMA-08V8-TGN**

DRAWING NO. **SMA-08V8-TGN**

DRAWN	MARY	DATE	96.03.15
CHECKED	沈佳德	DATE	96.03.15
Q.A.	蘇姿潔	DATE	
APPROVAL	徐燦霖	DATE	
REVISION		DATE	

DIMENSIONS ARE IN MILLIMETERS			
UNLESS OTHERWISE SPECIFIED TOLERANCE			
0.5-5=±0.2	120-315=±1		
5-30=±0.4	315-1000=±1.6		
30-120±0.6	1000-2000=±2.4		
SCALE	4:1	SIZE	A

REVISION	
DESCRIPTION	ENGINEER