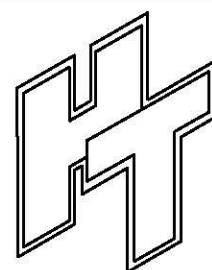
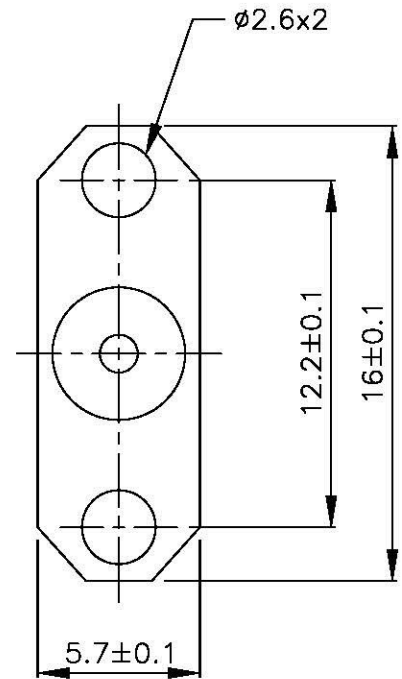
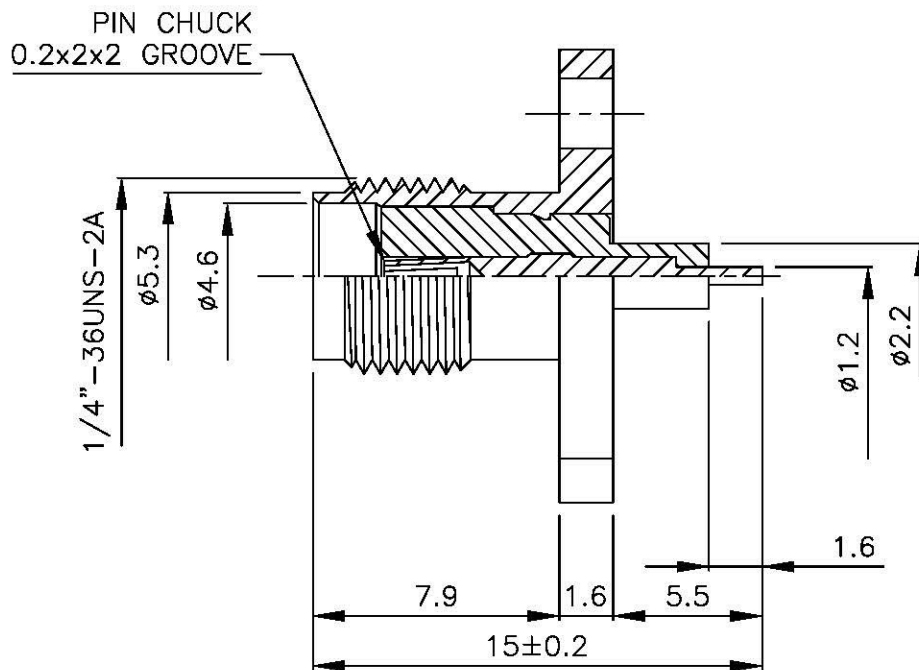
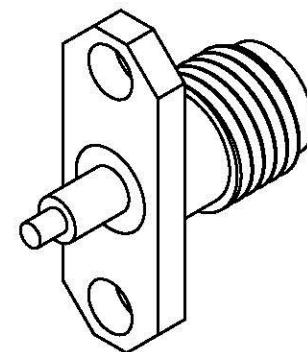


NO	DESCRIPTION	MATERIAL	Q'TY	FINISH	REMARK
1	BODY	BRASS	1	NICKEL	B-SMA0036-N
2	INSULATION	TEFLON	1	TEFLON	I-0112T
3	PIN	BE CU	1	GOLD	P-SMA0031-G



All Connectors
 www.allconnectors.de info@allconnectors.de
 Tel: 0049 711 7004203 Fax: 0049 711 7004201
 70774 Filzstet - Germany Kettelerstr. 25

TITLE **SMA FEMALE PC MOUNT**
 PART NO. **SMA-08V7-TGN**
 DRAWING NO. **SMA 08V7 TGN**

DRAWN **MARY** DATE **96.03.15**
 CHECKED **黄巧君** DATE
 Q.A. **蘇姿潔** DATE
 APPROVAL **徐燦霖** DATE
 REVISION DATE

DIMENSIONS ARE IN MILLIMETERS
 UNLESS OTHERWISE SPECIFIED TOLERANCE
 0.5-5=±0.2 120-315=±1
 5-30=±0.4 315-1000=±1.6
 30-120±0.6 1000-2000=±2.4
 SCALE 4:1 SIZE A

REVISION	
DESCRIPTION	ENGINEER