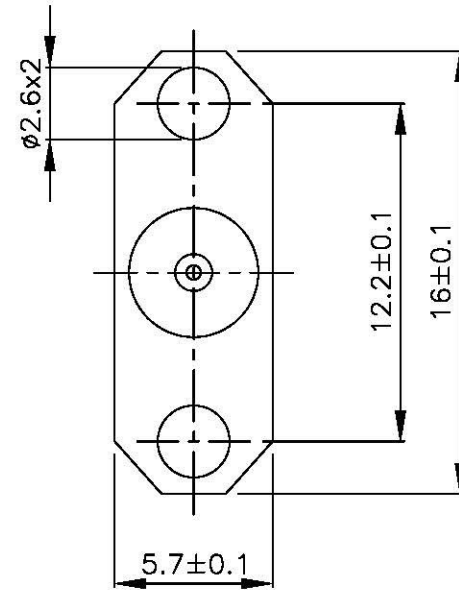
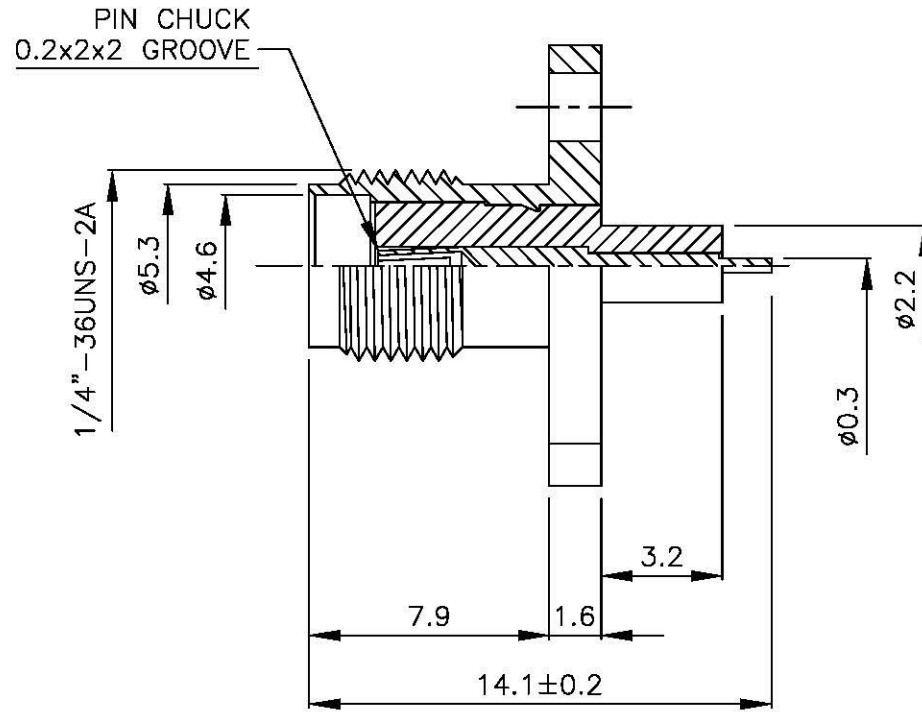
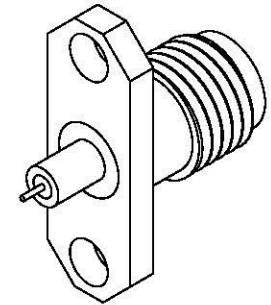


NO	DESCRIPTION	MATERIAL	Q'TY	FINISH	REMARK
1	BODY	BRASS	1	NICKEL	B-SMA0036-N
2	INSULATION	TEFLON	1	TEFLON	I-0112T
3	PIN	BE CU	1	GOLD	P-SMA0031-G



		DRAWN MARY DATE 96.10.02	DIMENSIONS ARE IN MILLIMETERS		REVISION		
	<small>www.allconnectors.de Tel: 0049 711 709300 20/84 Hohenstadt, Germany</small>	<small>info@allconnectors.de Fax: 0049 711 709304 Kulmburg, Germany</small>	CHECKED 蘇志欣 DATE	UNLESS OTHERWISE SPECIFIED TOLERANCE		DESCRIPTION	ENGINEER
	TITLE SMA FEMALE PC MOUNT		Q.A. 蘇姿潔 DATE			0.5-5=±0.2	120-315=±1
	PART NO. SMA-08V6-TGN		APPROVAL 徐燦霖 DATE	5-30=±0.4	315-1000=±1.6		
	DRAWING NO. SMA 08V6 TGN		REVISION DATE	30-120±0.6	1000-2000=±2.4		
			SCALE 4:1	SIZE A			