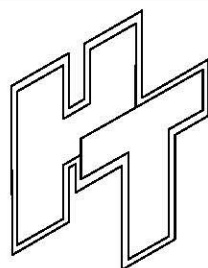
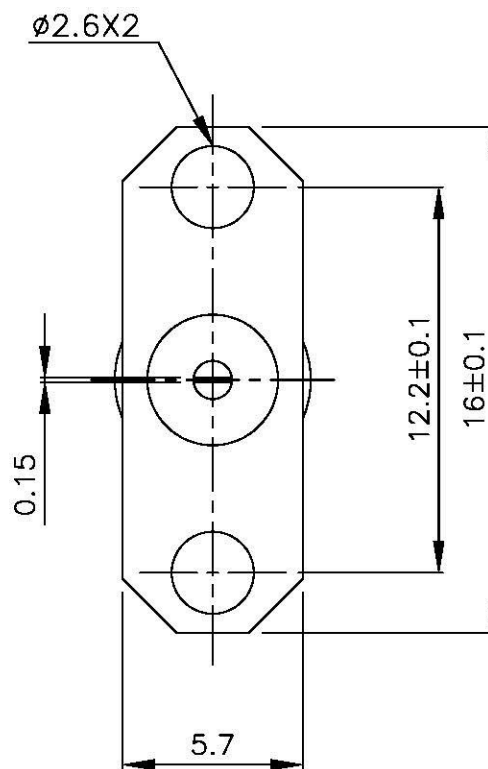
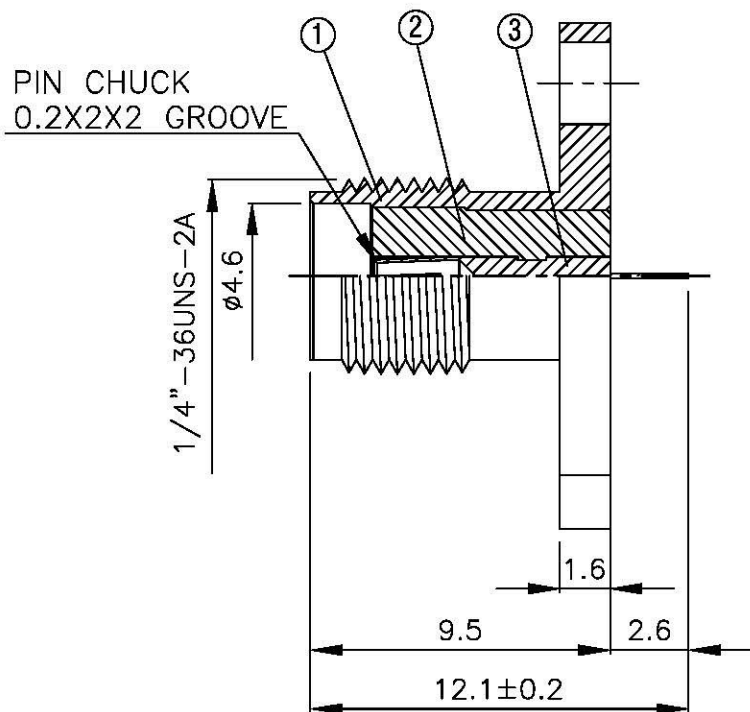
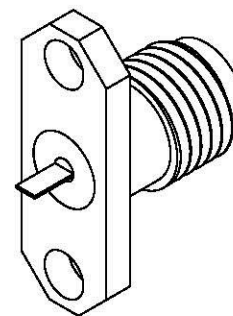


NO	DESCRIPTION	MATERIAL	Q'TY	FINISH	REMARK
1	BODY	BRASS	1	NICKEL	B-SMA0036-N
2	INSULATION	TEFLON	1	TEFLON	I-0106T
3	PIN	BE CU	1	GOLD	P-SMA0029-G



All Connectors
 www.allconnectors.de info@allconnectors.de
 Tel.: 0049 711 7009503 Fax: 0049 711 7009504
 20754 Hildesheim, Germany Kottenscheidt 25

TITLE **SMA FEMALE PC MOUNT**

PART NO. **SMA-08V5-TGN**

DRAWING NO. **SMA 08V5 TGN**

DRAWN **MARY** DATE **90.01.22**

CHECKED **蘇姿潔** DATE

Q.A. **張育誌** DATE

APPROVAL **馮健華** DATE

REVISION DATE

DIMENSIONS ARE IN MILLIMETERS

UNLESS OTHERWISE SPECIFIED TOLERANCE

0.5-5=±0.2	120-315=±1
5-30=±0.4	315-1000=±1.6
30-120±0.6	1000-2000=±2.4

SCALE **4:1** SIZE **A**

REVISION

DESCRIPTION	ENGINEER