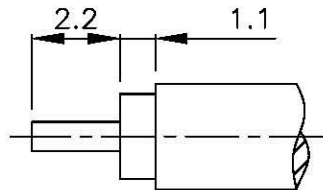
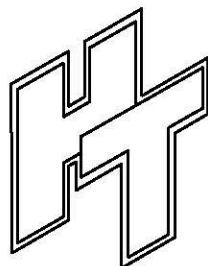
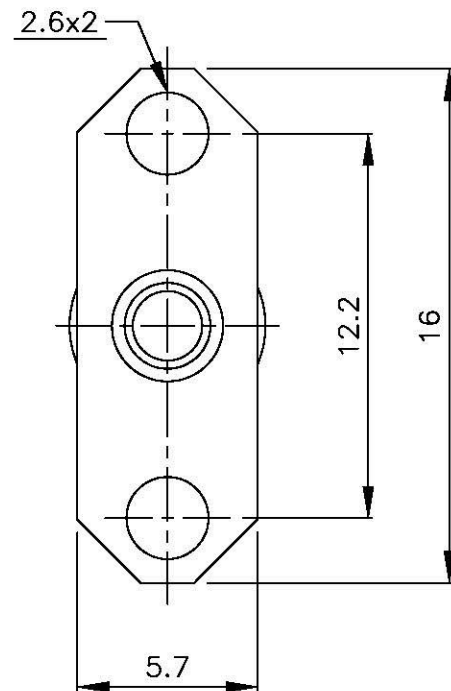
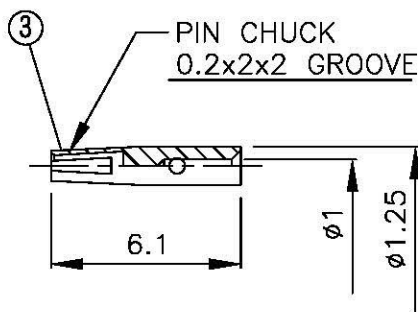
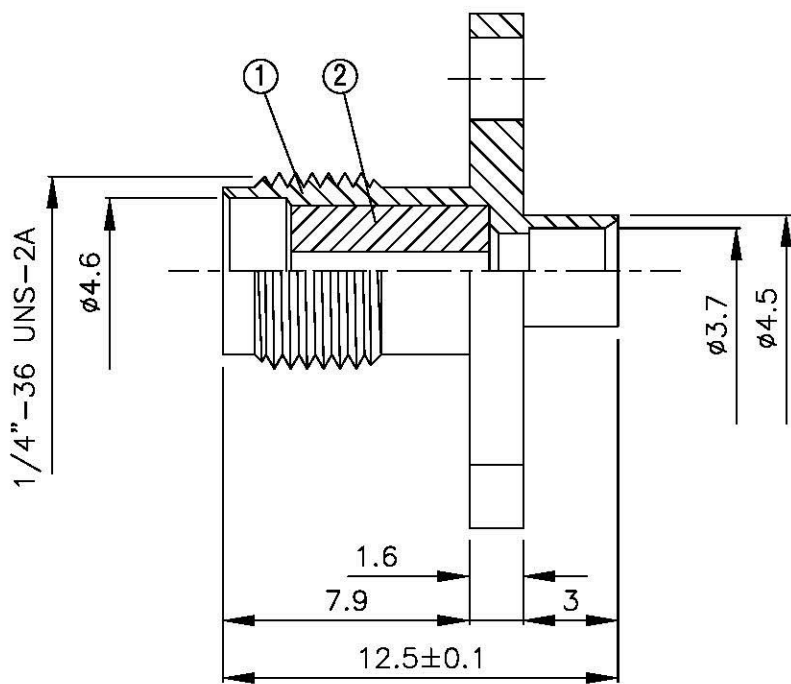
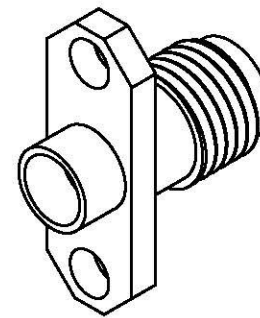


NO	DESCRIPTION	MATERIAL	Q'TY	FINISH	REMARK
1	BODY	BRASS	1	NICKEL	B-SMA0074-N
2	INSULATION	TEFLON	1	TEFLON	I-0115T
3	PIN	BE CU	1	GOLD	P-SMA0038-G



(Recommended Stripping Dimension)



**All Connectors**  
 www.allconnectors.com info@allconnectors.com  
 Tel.: 0049 711 7095403 Fax: 0049 711 7095404  
 70704 Filderstadt - Germany Kettnerstr. 25

TITLE SMA FEMALE PANEL SOLDER FOR RG402 (.141)

PART NO. SMA-08V2-TGN

DRAWING NO. SMA 08V2 TGN

DRAWN MARY DATE 96.03.29

CHECKED 黄巧君 DATE

Q.A. 蘇姿潔 DATE

APPROVAL 徐燦霖 DATE

REVISION DATE

DIMENSIONS ARE IN MILLIMETERS

UNLESS OTHERWISE SPECIFIED TOLERANCE

0.5-5=±0.2 120-315=±1

5-30=±0.4 315-1000=±1.6

30-120±0.6 1000-2000=±2.4

SCALE 4:1 SIZE A

REVISION

DESCRIPTION ENGINEER