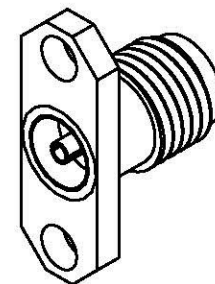
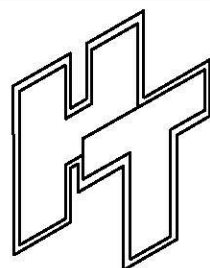
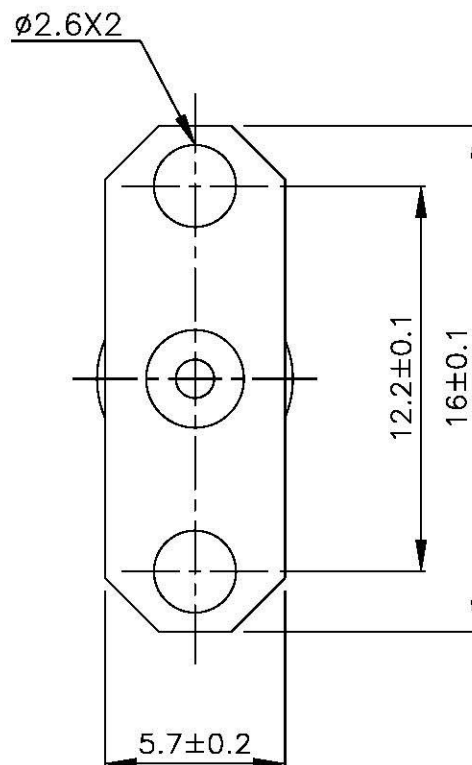
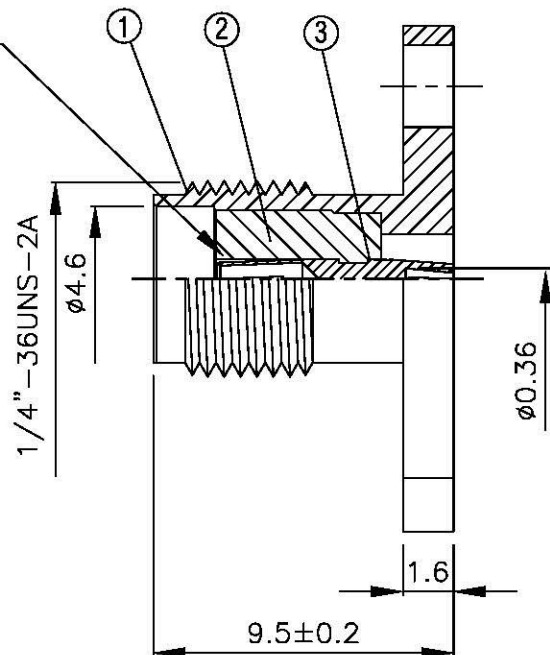


NO	DESCRIPTION	MATERIAL	Q'TY	FINISH	REMARK
1	BODY	BRASS	1	NICKEL	B-SMA1018-N
2	INSULATION	TEFLON	1	TEFLON	I-0501T
3	PIN	BE CU	1	GOLD	P-SMA0036-G



PIN CHUCK  
0.2X2X2 GROOVE



**All Connectors**

www.allconnectors.de  
Tel: 0049 711 7099-0  
70764 Hildersheim Germany

info@allconnectors.de  
Tel: 0049 711 7099-44  
Kornwestr. 27

TITLE  
**SMA FEMALE PC MOUNT**

PART NO.  
**SMA-08V14-TGN**

DRAWING NO.  
**SMA-08V14-TGN**

DRAWN MARY DATE 96.03.15

CHECKED 沈佳德 DATE 96.03.15

Q.A. 蘇姿潔 DATE

APPROVAL 徐燦霖 DATE

REVISION DATE

DIMENSIONS ARE IN MILLIMETERS

UNLESS OTHERWISE SPECIFIED TOLERANCE

0.5-5 =  $\pm 0.2$  120-315 =  $\pm 1$

5-30 =  $\pm 0.4$  315-1000 =  $\pm 1.6$

30-120 =  $\pm 0.6$  1000-2000 =  $\pm 2.4$

SCALE 4:1 SIZE A

REVISION

DESCRIPTION ENGINEER