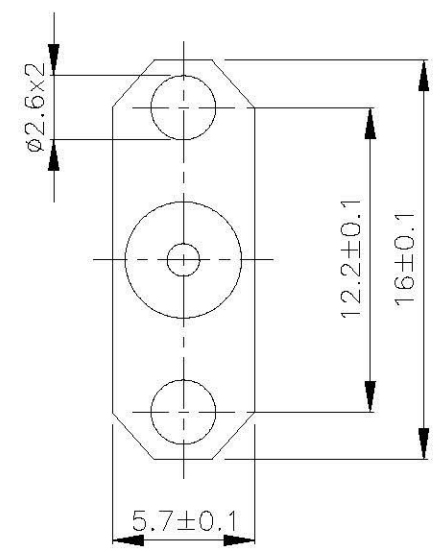
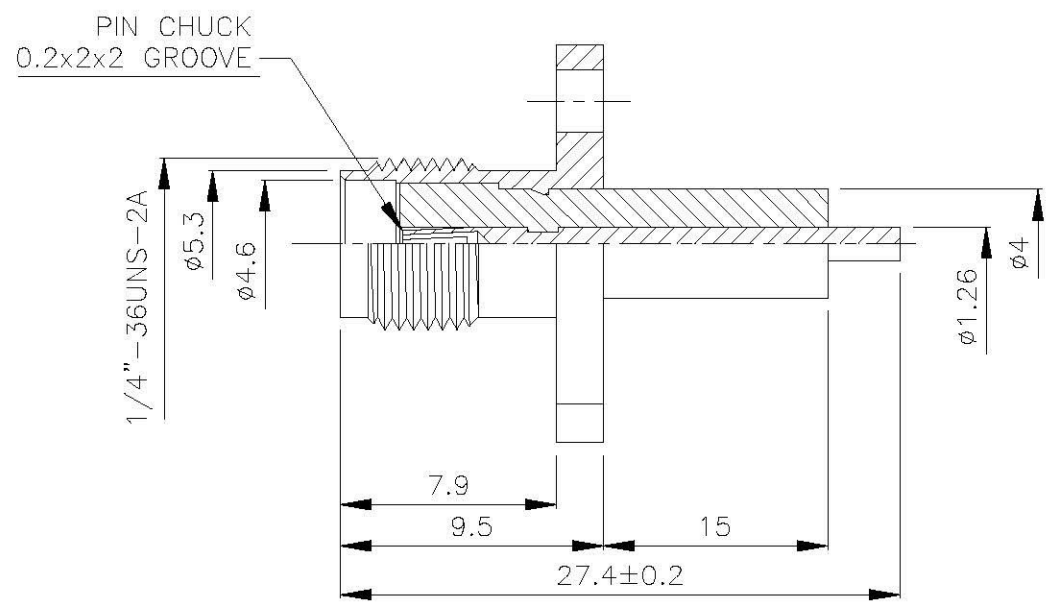
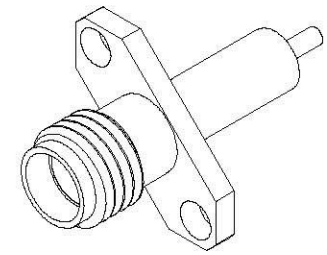


NO	DESCRIPTION	MATERIAL	Q'TY	FINISH	REMARK
1	BODY	BRASS	1	NICKEL	B-SMA0036-N
2	INSULATION	TEFLON	1	TEFLON	I-0109T
3	PIN	BE CU	1	GOLD	P-SMA0028-G



		DRAWN MARY DATE 96.03.12	DIMENSIONS ARE IN MILLIMETERS		REVISION		
	<small>www.allconnectors.de Tel: 0049 711 7009503 70713 Ellersreit - Germany</small>	<small>info@allconnectors.de Fax: 0049 711 7009504 kette@allconnectors.de</small>	CHECKED 黄巧君 DATE	UNLESS OTHERWISE SPECIFIED TOLERANCE		DESCRIPTION	ENGINEER
	TITLE SMA FEMALE PC MOUNT	Q.A. 蘇姿潔 DATE	APPROVAL 徐燦霖 DATE	0.5-5=±0.2 120-315=±1 5-30= ±0.4 315-1000=±1.6 30-120±0.6 1000-2000=±2.4			
	PART NO. SMA-08V13-TGN-1	REVISION	DATE	SCALE 4:1 SIZE A			
	DRAWING NO. SMA 08V13 TGN-1						