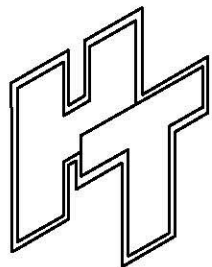
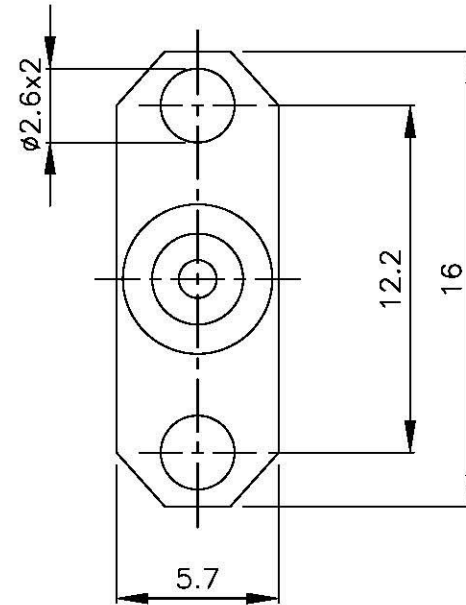
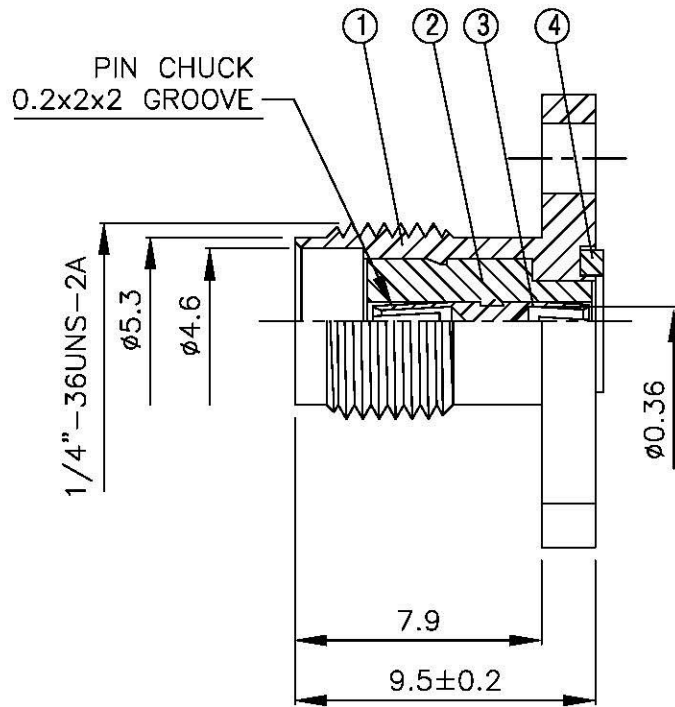
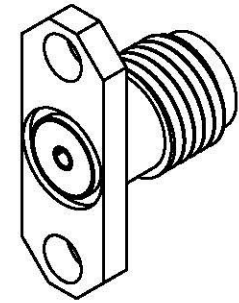


NO	DESCRIPTION	MATERIAL	Q'TY	FINISH	REMARK
1	BODY	BRASS	1	GOLD	B-SMA1020-G
2	INSULATION	TEFLON	1	TEFLON	I-0502T
3	PIN	BE CU	1	GOLD	P-SMA0036-G
4	GASKET	SI RUBBER	1	RUBBER	RU-0044



All Connectors
 www.allconnectors.de
 Tel: 0049 711 709903
 70298 Ulmerstadt - Germany
 info@allconnectors.de
 Fax: 0049 711 709904
 Reuterstr. 25

TITLE SMA FEMALE
LAUNCHERS WITH RRANSITION PINS

PART NO. SMA-08V12-TGG

DRAWING NO. SMA 08V12 TGG

DRAWN MARY

CHECKED 沈佳德

Q.A. 蘇姿潔

APPROVAL 徐燦霖

REVISION

DATE 96.03.15

DATE 96.03.15

DATE

DATE

DATE

DIMENSIONS ARE IN MILLIMETERS

UNLESS OTHERWISE SPECIFIED
TOLERANCE

0.5-5=±0.2 120-315=±1

5-30=±0.4 315-1000=±1.6

30-120±0.6 1000-2000=±2.4

SCALE 4:1 SIZE A

REVISION

DESCRIPTION ENGINEER