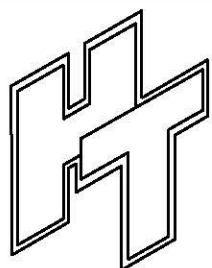
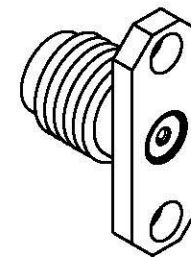
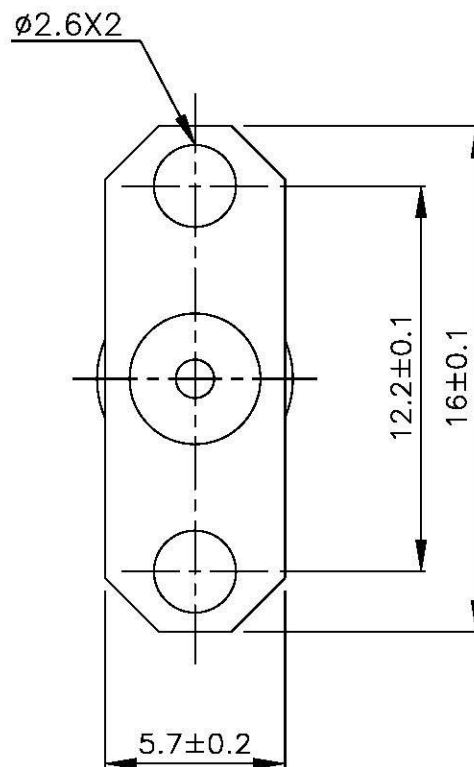
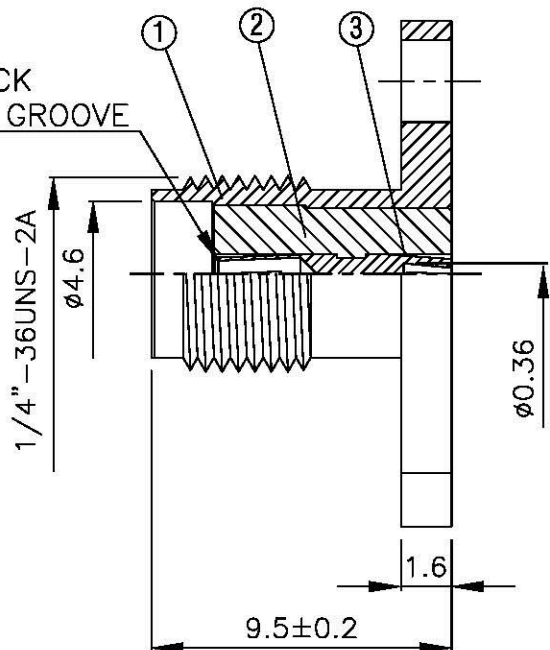


NO	DESCRIPTION	MATERIAL	Q'TY	FINISH	REMARK
1	BODY	BRASS	1	NICKEL	B-SMA0036-N
2	INSULATION	TEFLON	1	TEFLON	I-0114T
3	PIN	BE CU	1	GOLD	P-SMA0036-G

PIN CHUCK
0.2X2X2 GROOVE



All Connectors

www.allconnectors.de
info@allconnectors.de
70469 Ulm/Erststadt - Germany
+49 (0) 7141 303404

TITLE
SMA FEMALE PC MOUNT

PART NO.
SMA-08V11-TGN

DRAWING NO.
SMA-08V11-TGN

DRAWN MARY DATE 94.11.15

CHECKED 沈佳德 DATE 94.11.15

Q.A. 蘇姿潔 DATE

APPROVAL 徐燦霖 DATE

REVISION DATE

DIMENSIONS ARE IN MILLIMETERS

UNLESS OTHERWISE SPECIFIED TOLERANCE
0.5-5=±0.2 120-315=±1
5-30=±0.4 315-1000=±1.6
30-120±0.6 1000-2000=±2.4

SCALE 4:1 SIZE A

REVISION

DESCRIPTION ENGINEER