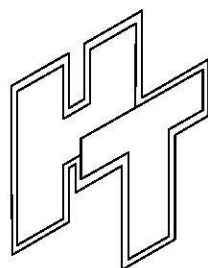
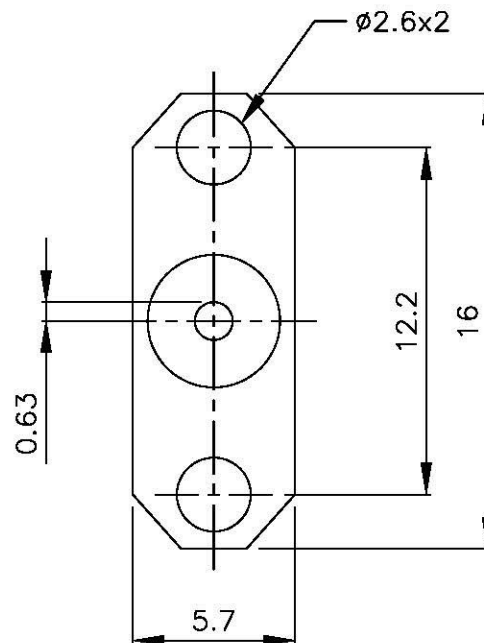
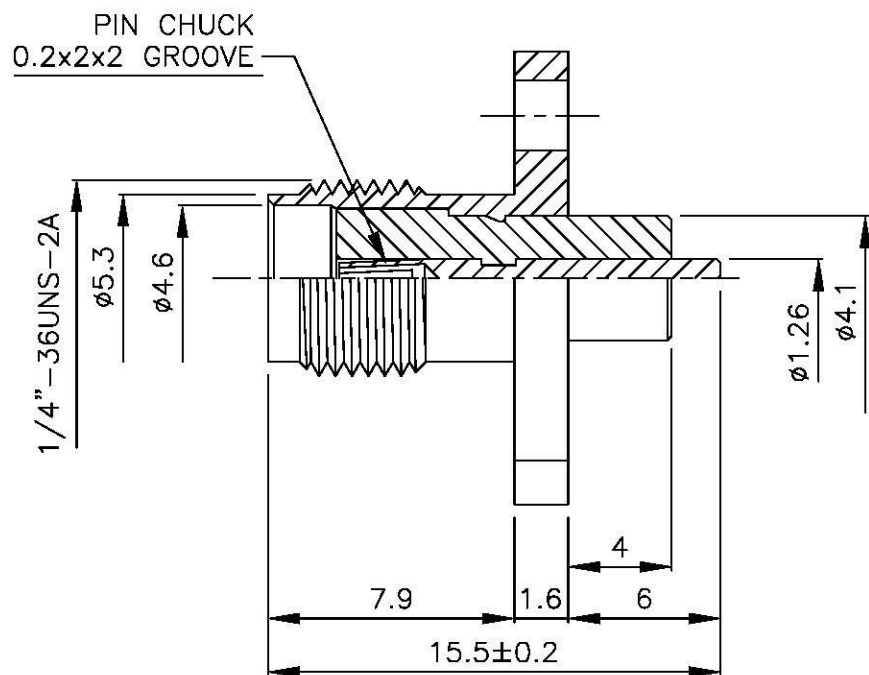
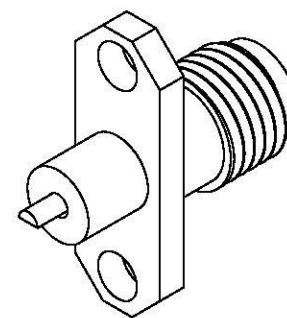


NO	DESCRIPTION	MATERIAL	Q'TY	FINISH	REMARK
1	BODY	BRASS	1	NICKEL	B-SMA0036-N
2	INSULATION	TEFLON	1	TEFLON	I-0111T
3	PIN	BE CU	1	GOLD	P-SMA0034-G



All Connectors

www.allconnectors.de info@allconnectors.de
 TEL: 0324 711 2100 FAX: 0324 711 2100
 70794 Filberstadt, Germany K111000141.23

TITLE SMA FEMALE PC MOUNT
 HALF POST CONCATC

PART NO. SMA-08V10-TGN

DRAWING NO. SMA 08V10 TGN

DRAWN MARY DATE 96.03.15

CHECKED 蘇姿潔 DATE

Q.A. 馮健華 DATE

APPROVAL 徐燦霖 DATE

REVISION DATE

DIMENSIONS ARE IN MILLIMETERS

UNLESS OTHERWISE SPECIFIED
 TOLERANCE

0.5-5=±0.2	120-315=±1
5-30=±0.4	315-1000=±1.6
30-120±0.6	1000-2000=±2.4

SCALE 4:1 SIZE A

REVISION

DESCRIPTION	ENGINEER