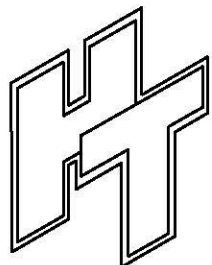
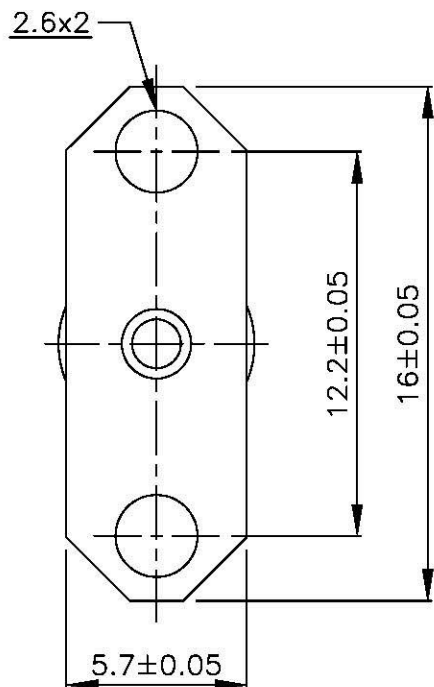
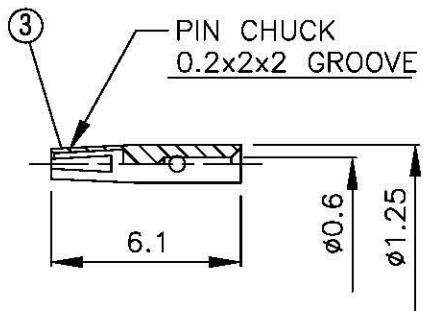
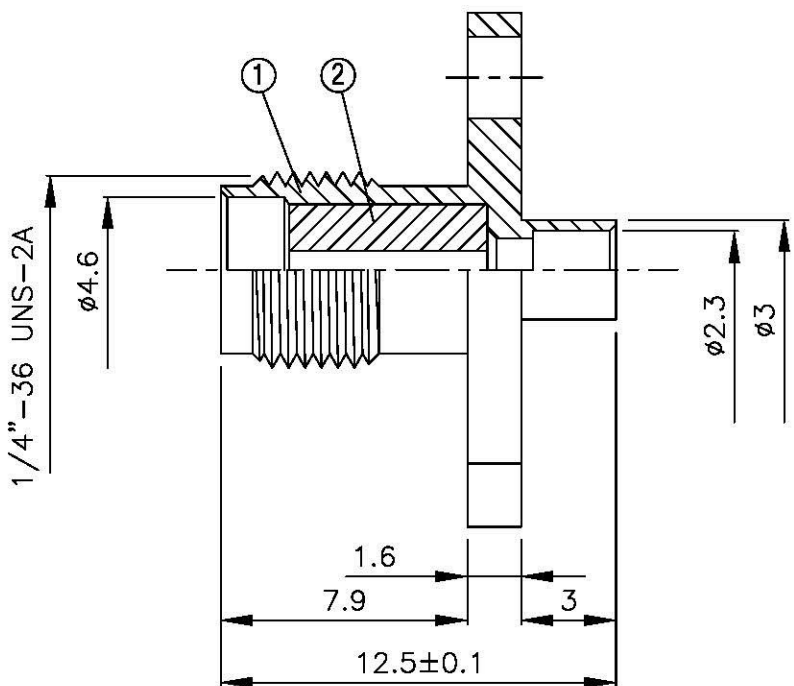
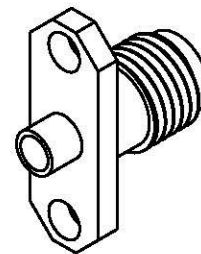


NO	DESCRIPTION	MATERIAL	Q'TY	FINISH	REMARK
1	BODY	BRASS	1	NICKEL	B-SMA0073-N
2	INSULATION	TEFLON	1	TEFLON	I-0115T
3	PIN	BE CU	1	GOLD	P-SMA0049-G



All Connectors
 www.allconnectors.com info@allconnectors.com
 Tel: 2019 723 7000/802 Fax: 2019 711 7000/801
 20194 Pflanzwald - Germany Cell: 139 127 75

TITLE SMA FEMALE PANEL SOLDER FOR RG405 (.085)

PART NO. SMA-08V1-TGN

DRAWING NO. SMA 08V1 TGN

DRAWN	MARY	DATE	96.03.29
CHECKED	黄巧君	DATE	
Q.A.	蘇姿潔	DATE	
APPROVAL	徐燦霖	DATE	
REVISION		DATE	

DIMENSIONS ARE IN MILLIMETERS			
UNLESS OTHERWISE SPECIFIED TOLERANCE			
0.5-5=±0.2	120-315=±1		
5-30=±0.4	315-1000=±1.6		
30-120±0.6	1000-2000=±2.4		
SCALE	4:1	SIZE	A

REVISION	
DESCRIPTION	ENGINEER