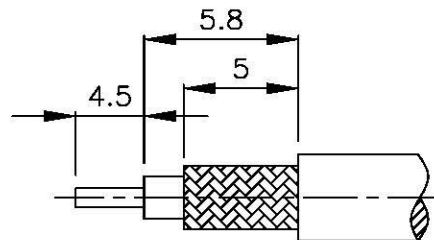
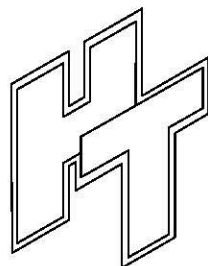
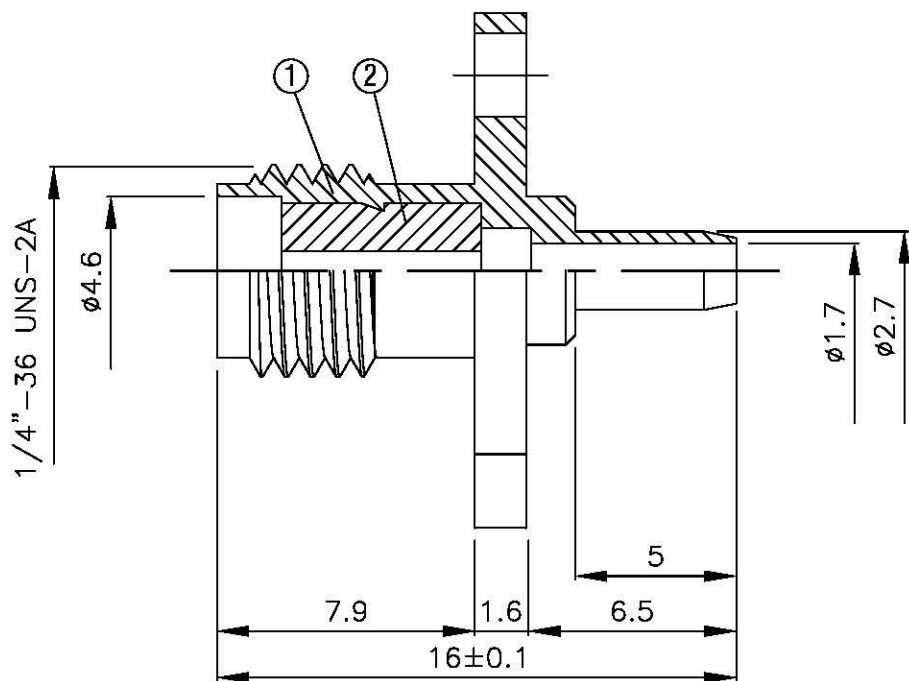
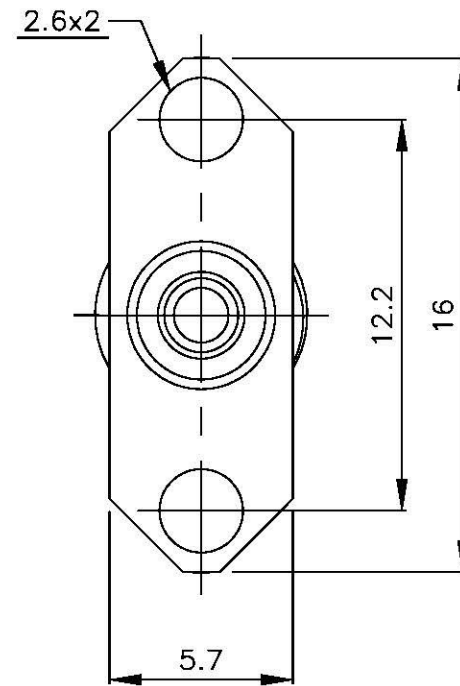
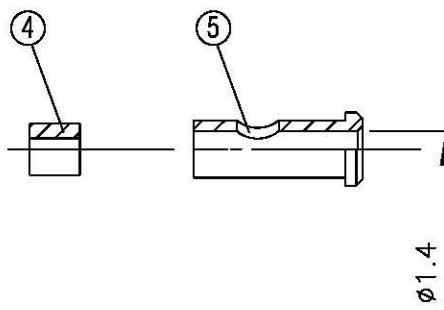
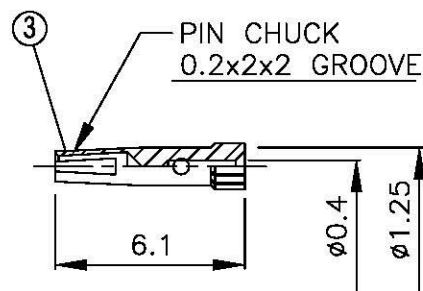
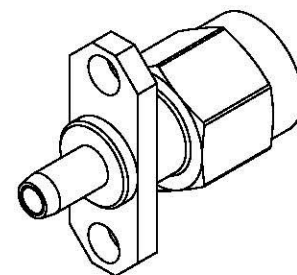


NO	DESCRIPTION	MATERIAL	Q'TY	FINISH	REMARK
1	BODY	BRASS	1	NICKEL	B-SMA1016-N
2	INSULATION	TEFLON	1	TEFLON	I-0547T
3	PIN	BE CU	1	GOLD	P-SMA0120-G
4	INSULATION	TEFLON	1	TEFLON	I-0256T
5	BODY	BRASS	1	GOLD	B-SMA0473-G



(Recommended Stripping Dimension)



All Connectors

www.allconnectors.de
 info@allconnectors.de
 Tel: 0049 711 3935483 Fax: 0049 711 3935444
 ALPINA Industriest.-Germany Kettwegstr. 28

TITLE SMA FEMALE PANEL SOLDER FOR RG-178/U

PART NO. SMA-08M-TGN

DRAWING NO. SMA 08M TGN

DRAWN MARY

CHECKED 蘇姿潔

Q.A. 馮健華

APPROVAL 徐燦霖

REVISION

DATE 96.03.15

DATE

DATE

DATE

DATE

DIMENSIONS ARE IN MILLIMETERS

UNLESS OTHERWISE SPECIFIED TOLERANCE

0.5-5=±0.2 120-315=±1

5-30=±0.4 315-1000=±1.6

30-120±0.6 1000-2000=±2.4

SCALE 4:1 SIZE A

REVISION

DESCRIPTION ENGINEER