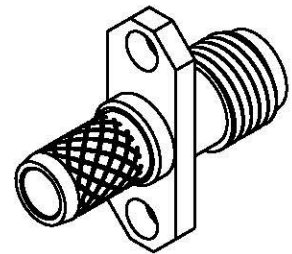
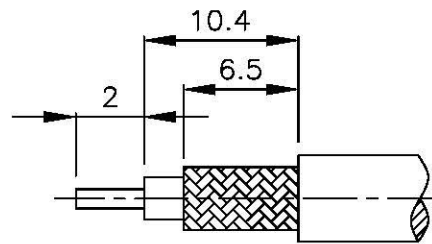
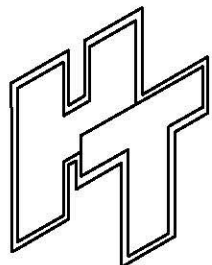
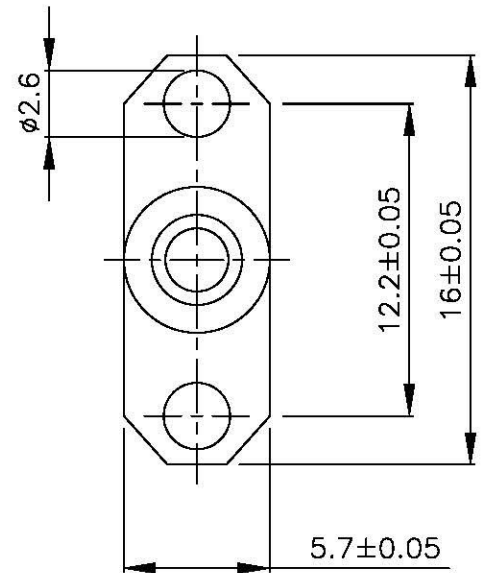
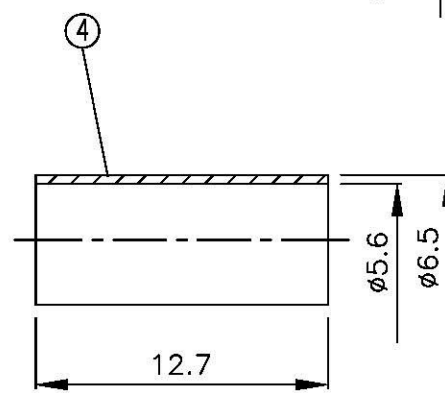
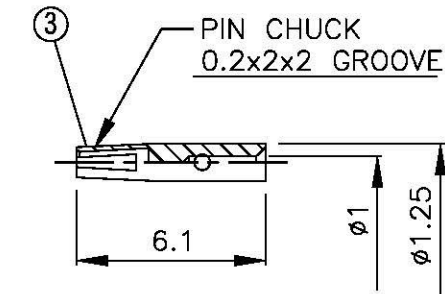
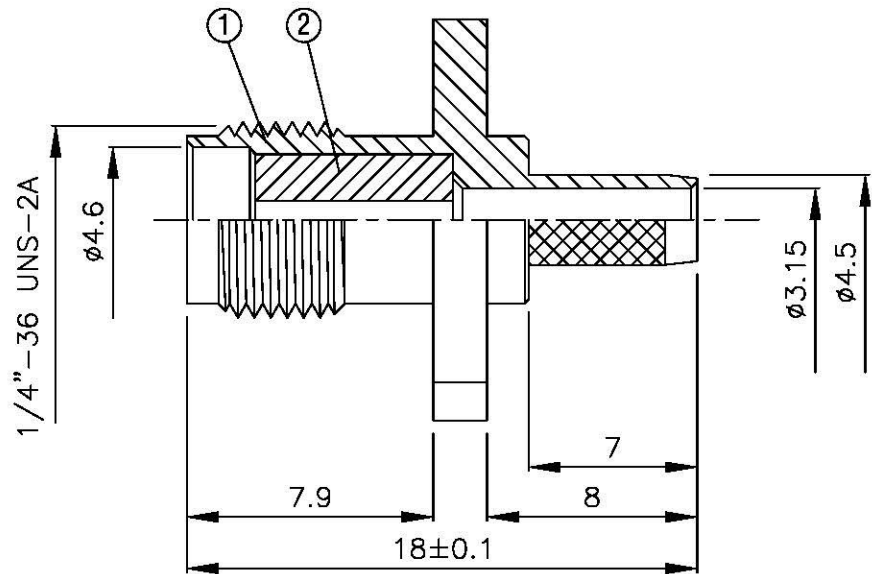


NO	DESCRIPTION	MATERIAL	Q'TY	FINISH	REMAEK
1	BODY	BRASS	1	NICKEL	B-SMA0069-N
2	INSULATION	TEFLON	1	TEFLON	I-0547T
3	PIN	BE CU	1	GOLD	P-SMA038-G
4	RING	BRASS	1	GOLD	R-0007-G



(Recommended Stripping Dimension)



All Connectors

www.allconnectors.de
tel: 0049 711 7000603
70376 Filberfeld - Germany
info@allconnectors.de
fax: 0049 711 7000608
Mail: service@ac.de

TITLE SMA FEMALE PANEL CRIMP FOR RG-58/U

PART NO. SMA-08F-TGN

DRAWING NO. SMA 08F TGN

DRAWN MARY DATE 96.03.15

CHECKED 黄巧君 DATE

Q.A. 蘇姿潔 DATE

APPROVAL 徐燦霖 DATE

REVISION DATE

DIMENSIONS ARE IN MILLIMETERS

UNLESS OTHERWISE SPECIFIED TOLERANCE

0.5-5=±0.2	120-315=±1
5-30=±0.4	315-1000=±1.6
30-120±0.6	1000-2000=±2.4

SCALE 4:1 SIZE A

REVISION

DESCRIPTION	ENGINEER